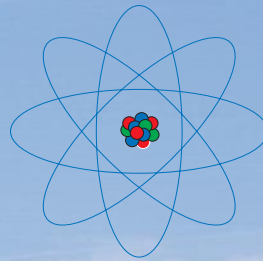
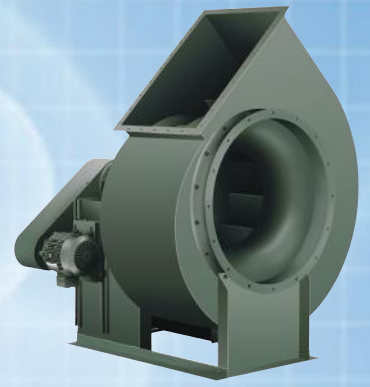


Supplying the Nuclear Industry for Over 40 Years



Quality, Experience and Integrity

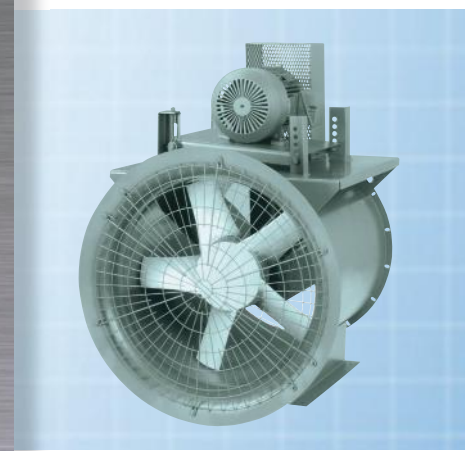


(412) 777-5101 • ssmi.biz



THE NEW YORK BLOWER COMPANY

(800) 208-7918 • nyb.com



The New York Blower Company

New York Blower is an industry leader in manufacturing premium-quality, engineered fans and blowers to the industrial and OEM marketplace. For 125 years, NYB carries one of the most complete product lines in the air-movement industry and, for this reason, NYB is able to engineer individual, flexible, customized solutions that meet the specific requirements for nuclear applications.

SSM Industries, Inc., Power Division

SSM Industries, Inc. (formerly Schneider Sheet Metal) is the largest Nuclear Safety Related HVAC designer/fabricator/supplier/installer in the United States. SSM Industries, Inc. entered the nuclear industry as the metal fabrication division of Schneider Power over fifty years ago in the late 1960s. SSM Industries, Inc.'s key to success comes from our basic philosophy to provide the best designed, qualified and fabricated equipment using the best management and fabrication in the industry.

A Team You Can Count On

Working together, SSM Industries and New York Blower Company provide continuous experience in the evolving nuclear industry enabling us to provide you with qualified, custom products specific to your needs, on time & within budget.



Welding and Assembly Operations.



Product Research
Center, LaPorte, IN



Headquarters
Willowbrook, Illinois.

Applicable Codes and Standards

ASME NQA-1

- Quality Assurance Requirements for Nuclear Facility Applications

ASME AG-1

- Code on Nuclear Air and Gas Treatment
ASME BPVC
- Boiler and Pressure Vessel Code

ASME N509

- Nuclear Power Plant Air-Cleaning Units and Components

ASME N511

- Testing of Nuclear Air-Treatment Systems

API 673

- Centrifugal Fans for Petroleum, Chemical & Gas Industry

AMCA 99

- Standards Handbook

AMCA 201

- Fans and Systems

AMCA 204

- Balance Quality and Vibration Levels for Fans

AMCA 210/211

- Laboratory Methods of Testing Fans for Rating

AMCA 300/301

- Reverberant Room Method for Fan Sound Testing

AMCA 500

AWS C1.1

AWS D1.1/D1.1M/D1.2/1.3/D1.6/D14.6/D9.1

- Structural Welding Code

NEMA MG1 Motors

Complete 10 CFR 50 Appendix B

- Quality Assurance for Nuclear Power & Fuel Reprocessing Plants 10 CFR55

ISO 9001

- Quality Management System Requirements
UL 555S

Products

Fans

- Centrifugal
- Axial
- High Pressure Exhaust
- Air Handling Units

HEPA Filter Units

Charcoal Adsorbers

Heating & Cooling Coils

Dampers

- Bubbletight (Class 0)
- HELB
- Tornado
- Control
- Fire
- Smoke
- Balancing

Ductwork & Accessories

Supports

Access Doors

Flex Connectors

Actuators

Instruments & Controls

Grilles, Registers, & Diffusers

Services

Installation

Testing

Field Engineers

Product Design

Component and Total System Testing,

Adjusting, and Balancing

Commercial Dedication

Grills, Registers and Diffusers



Capabilities

Positive Material Identification (PMI)

Non-Destructive Testing

Liquid Penetrant Weld Analysis

Magnetic Particle Weld Analysis

Ultrasonic Material Testing

Mechanical Run Test

Bearing temperature test

CAD/Coordinate Verification

Vibration Testing

Frequency Analysis

Coast Down Testing

Impact Testing

Design Capabilities

Burst Analysis

Modal Analysis

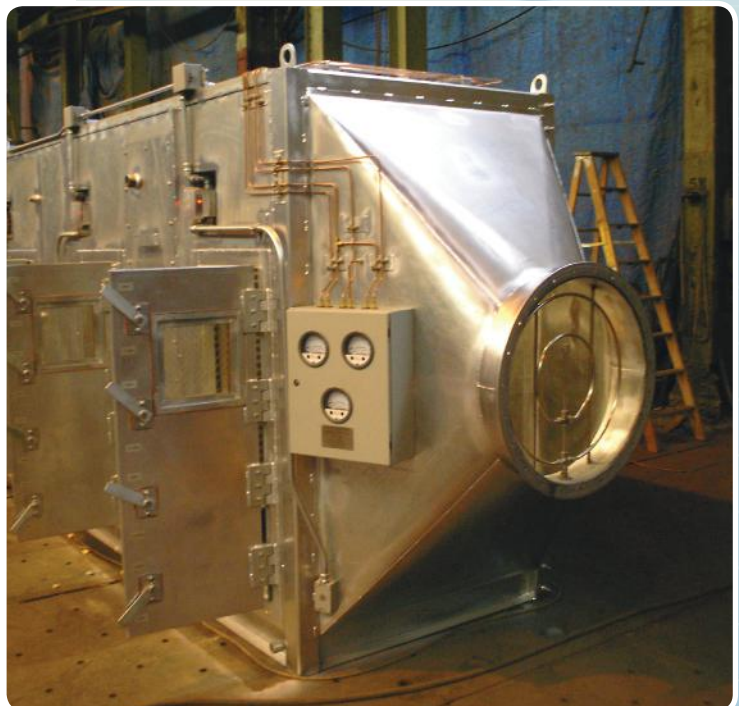
Frequency Finite Element Analysis (FEA)

Operating Deflection Shape

Seismic Qualification

Thermal Qualification

Radiation Qualification



Supplying the Nuclear Industry Throughout the United States, Asia and Europe

US Site supplied shown below.



Arkansas One 1 & 2 – Dardanelle Reservoir, Arkansas River, AR
 Beaver Valley 1 & 2 – Ohio River, PA
 Braidwood 1 & 2 – Braidwood Lake, Kankakee River, IL
 Browns Ferry 1, 2 & 3 – Tennessee River, AL
 Brunswick 1 & 2 – Cape Fear River, Atlantic Ocean, NC
 Byron 1 & 2 – Rock River, IL
 Calvert Cliffs 1 & 2 – Chesapeake Bay, MD
 Catawba 1 & 2 – Lake Wylie, Catawba River, SC
 Clinton – Clinton Lake, Salt Creek, IL
 Columbia – Columbia River, WA
 Comanche Peak 1 & 2 – Squaw Creek Reservoir, Brazos River, TX
 Donald C. Cook 1 & 2 – Lake Michigan, MI
 Cooper – Missouri River, NE
 Davis-Besse – Lake Erie, OH
 Diablo Canyon 1 & 2 – Pacific Ocean, CA
 Dresden 2 & 3 – Kankakee River, IL
 Duane Arnold – Cedar River, IA
 Joseph M. Farley 1 & 2 – Chattahoochee River, AL
 Fermi 2 – Lake Erie, MI
 James A. FitzPatrick – Lake Ontario, NY
 Fort Calhoun – Missouri River, NE

R. E. Ginna – Lake Ontario, NY
 Edwin I. Hatch 1 & 2 – Altamaha River, GA
 Hope Creek – Delaware River, NJ
 Indian Point 2 & 3 – Hudson River, NY
 Limerick 1 & 2 – Schuylkill River, PA
 McGuire 1 & 2 – Lake Norman, Catawba River, NC
 Millstone 2 & 3 – Niantic Bay of Long Island Sound, CT
 Monticello – Mississippi River, MN
 Nine Mile Point 1 & 2 – Lake Ontario, NY
 North Anna 1 & 2 – Lake Anna, North Anna River, Pamunkey River, York River, Chesapeake Bay, VA
 Oyster Creek – Bamegat Bay of Atlantic Ocean, NJ
 Palisades – Lake Michigan, MI
 Palo Verde 1, 2, & 3 – Groundwater plus Phoenix sewage water from 35 miles away provide the cooling water. Waste water is evaporated; saturated sludges are shipped to a radioactive waste dump.
 Peach Bottom 2 & 3 – Conowingo Pond, Susquehanna River, Chesapeake Bay, PA
 Perry – Lake Erie, OH
 Point Beach 1 & 2 – Lake Michigan, WI
 Prairie Island 1 & 2 – Mississippi River, MN
 Quad Cities 1 & 2 – Mississippi River, IL

H. B. Robinson 2 – Lake Robinson, Black Creek, SC
 Saint Lucie 1 & 2 – Atlantic Ocean, FL
 Salem 1 & 2 – Delaware River, NJ
 Seabrook – Atlantic Ocean, NH
 Sequoyah 1 & 2 – Chickamauga Lake, Tennessee River, TN
 Shearon Harris – Harris Lake, Buckhorn Creek, Cape Fear River, NC
 South Texas Project 1 & 2 – Colorado River, Gulf of Mexico, TX
 V.C. Summer – Monticello Reservoir, Broad River, SC
 Surry 1 & 2 – James River, Chesapeake Bay, VA
 Susquehanna 1 & 2 – Susquehanna River, Chesapeake Bay, PA
 Three Mile Island – Susquehanna River, Chesapeake Bay, PA
 Turkey Point 3 & 4 – Biscayne Bay of Atlantic Ocean, FL
 Vogtle 1 & 2 – Savannah River, GA
 Waterford 3 – Mississippi River, LA
 Watts Bar – Watts Bar Lake, Tennessee River, TN



THE NEW YORK BLOWER COMPANY

(412) 777-5101 • ssmi.biz

(800) 208-7918 • nyb.com