

MATERIAL SPECIFICATIONS

U.S. standard sheet gauge to 7 gauge. Dimensions in inches. Weights in pounds. WR² in lb.-ft.².

CLASS 1																					
Size	Housing				Shaft		Bearing		Arr. 1, 8, & 9 bearing pedestal	Wheel						Bare fan weight					
	Arr. 1, 8, & 9		Arr. 3		Arr. 1, 8, & 9	Arr. 3	Arr. 1, 8, & 9	Arr. 3		AcoustaFoil		BC		PLR		AcoustaFoil		BC		PLR	
	Scroll	Side sheets	Scroll	Side sheets						WR ²	Weight	WR ²	Weight	WR ²	Weight	WR ²	Weight	WR ²	Weight	WR ²	Weight
12	16	14	—	—	1	—	A	—	10	1	7	—	—	2	15	102	—	—	—	110	—
15	16	14	—	—	1 ³ / ₁₆	—	A	—	10	3	12	—	—	4	21	137	—	—	—	146	—
18	14	14	—	—	1 ³ / ₁₆	—	A	—	10	10	32	11	36	10	32	202	—	206	—	202	—
22	14	14	—	—	1 ⁷ / ₁₆	—	A	—	10	22	44	30	59	26	50	279	—	294	—	285	—
24	14	12	12	10	1 ⁷ / ₁₆	1 ¹¹ / ₁₆	A	A	7	38	71	49	88	43	77	401	396	418	413	407	402
27	14	12	12	10	1 ¹¹ / ₁₆	1 ¹¹ / ₁₆	A	A	7	63	90	72	103	64	91	495	515	508	528	496	516
30	14	12	12	10	1 ¹¹ / ₁₆	1 ¹⁵ / ₁₆	A	A	7	91	103	112	126	97	108	573	683	596	706	578	688
33	14	12	12	10	1 ¹⁵ / ₁₆	1 ¹⁵ / ₁₆	A	A	7	121	119	151	146	131	127	669	749	696	776	677	757
36	12	12	10	10	1 ¹⁵ / ₁₆	1 ¹⁵ / ₁₆	A	C	7	232	178	265	205	235	181	893	998	920	1025	896	1001
40	10	10	10	10	2 ³ / ₁₆	2 ³ / ₁₆	C	C	1/4	306	188	301	231	310	191	1383	1223	1426	1266	1386	1226
44	10	10	10	10	2 ⁷ / ₁₆	2 ³ / ₁₆	C	C	1/4	501	260	576	301	506	264	1680	1540	1721	1581	1684	1544
49	10	10	10	10	2 ⁷ / ₁₆	2 ⁷ / ₁₆	C	C	1/4	809	344	937	402	903	377	1979	1884	2037	1942	2012	1917
54	10	10	10	10	2 ¹¹ / ₁₆	2 ⁷ / ₁₆	D	D	1/4	1205	411	1397	483	1344	453	2596	2191	2668	2263	2638	2233
60	10	10	10	10	2 ¹⁵ / ₁₆	2 ¹¹ / ₁₆	D	D	1/4	1761	509	2402	648	2330	637	3059	2644	3198	2783	3187	2772
66	10	10	10	10	2 ¹⁵ / ₁₆	2 ¹⁵ / ₁₆	D	E	1/4	3583	825	4109	956	3915	893	4165	3835	4296	3966	4233	3903
73	10	10	10	10	3 ⁷ / ₁₆	3 ⁷ / ₁₆	D	F	1/4	5705	1047	6385	1215	6441	1164	5047	4632	5215	5164	5164	4749

CLASS 2																					
Size	Housing				Shaft		Bearing		Arr. 1, 8, & 9 bearing pedestal	Wheel						Bare fan weight					
	Arr. 1, 8, & 9		Arr. 3		Arr. 1, 8, & 9	Arr. 3	Arr. 1, 8, & 9	Arr. 3		AcoustaFoil		BC		PLR		AcoustaFoil		BC		PLR	
	Scroll	Side sheets	Scroll	Side sheets						WR ²	Weight	WR ²	Weight	WR ²	Weight	WR ²	Weight	WR ²	Weight	WR ²	Weight
12	16	14	—	—	1 ³ / ₁₆	—	A	—	10	1	7	—	—	2	15	107	—	—	—	115	—
15	16	14	—	—	1 ⁷ / ₁₆	—	A	—	10	3	12	—	—	4	21	147	—	—	—	156	—
18	14	14	—	—	1 ¹¹ / ₁₆	—	A	—	10	10	31	20	48	10	32	221	—	238	—	222	—
22	14	14	—	—	1 ¹¹ / ₁₆	—	A	—	7	22	44	30	68	26	59	334	—	358	—	349	—
24	14	12	12	10	1 ¹¹ / ₁₆	1 ¹¹ / ₁₆	A	A	7	38	70	49	88	43	74	440	485	458	503	444	489
27	14	12	12	10	1 ¹⁵ / ₁₆	1 ¹¹ / ₁₆	A	A	7	63	90	72	103	64	91	520	655	533	668	521	656
30	14	12	12	10	1 ¹⁵ / ₁₆	1 ¹⁵ / ₁₆	C	C	1/4	91	103	111	125	104	115	698	838	620	860	710	850
33	14	12	12	10	2 ³ / ₁₆	1 ¹⁵ / ₁₆	C	C	1/4	121	119	151	146	146	137	859	914	886	941	877	932
36	12	12	10	10	2 ³ / ₁₆	2 ³ / ₁₆	D	C	1/4	232	178	267	204	278	206	1068	1193	1094	1219	1096	1221
40	10	10	10	10	2 ⁷ / ₁₆	2 ⁷ / ₁₆	D	C	3/8	306	188	309	242	355	214	1558	1298	1612	1352	1584	1324
44	10	10	10	10	2 ¹¹ / ₁₆	2 ¹¹ / ₁₆	D	E	3/8	501	260	584	311	568	289	1910	1845	1961	1896	1939	1874
49	10	10	10	10	2 ¹⁵ / ₁₆	2 ¹¹ / ₁₆	D	E	3/8	833	349	937	402	903	377	2244	2119	2297	2172	2272	2147
54	10	10	10	10	3 ⁷ / ₁₆	2 ¹⁵ / ₁₆	D	F	3/8	1244	419	1601	541	1599	520	3024	2739	3146	2861	3125	2840
60	7	7	7	7	3 ⁷ / ₁₆	3 ⁷ / ₁₆	D	F	3/8	1822	522	2489	670	2419	660	3862	3637	4010	3785	4000	3775
66	7	7	7	7	3 ⁷ / ₁₆	3 ⁷ / ₁₆	D	F	3/8	3674	840	4110	972	4074	922	5015	4235	5147	4367	5097	4317
73	7	7	7	7	3 ¹⁵ / ₁₆	3 ¹⁵ / ₁₆	D	F	3/8	5833	1079	6382	1229	6442	1179	6214	5734	6364	5884	6314	5834

CLASS 3															
Size	Housing		Shaft		Bearing		Arr. 1, 8, & 9 bearing pedestal	Wheel				Bare fan weight			
	Scroll	Side sheets	Arr. 1, 8, & 9	Arr. 3	Arr. 1, 8, & 9	Arr. 3		AcoustaFoil		PLR		AcoustaFoil		PLR	
								WR ²	Weight	WR ²	Weight	WR ²	Weight	WR ²	Weight
18	10	10	1 ¹¹ / ₁₆	—	C	—	10	12	44	11	43	299	—	298	—
22	10	10	1 ¹⁵ / ₁₆	—	C	—	7	26	58	28	63	343	—	348	—
24	10	10	2 ³ / ₁₆	1 ¹⁵ / ₁₆	D	C	7	43	82	46	87	582	677	587	682
27	10	10	2 ³ / ₁₆	1 ¹⁵ / ₁₆	D	C	1/4	65	101	69	103	736	796	738	798
30	10	10	2 ⁷ / ₁₆	2 ³ / ₁₆	D	C	1/4	115	131	110	127	1001	1071	997	1067
33	7	7	2 ⁷ / ₁₆	2 ³ / ₁₆	D	E	1/4	154	145	155	147	1270	1200	1272	1202
36	7	7	2 ¹¹ / ₁₆	2 ⁷ / ₁₆	D	E	1/4	259	258	275	268	1553	1403	1563	1413
40	7	7	2 ¹⁵ / ₁₆	2 ¹¹ / ₁₆	D	E	3/8	407	311	431	325	2051	1711	2065	1725
44	7	7	2 ¹⁵ / ₁₆	2 ¹⁵ / ₁₆	D	E	3/8	597	358	628	372	2558	2258	2572	2272
49	7	7	3 ⁷ / ₁₆	2 ¹⁵ / ₁₆	D	F	3/8	976	558	1059	589	3103	2518	3134	2549
54	7	7	3 ¹⁵ / ₁₆	3 ⁷ / ₁₆	D	F	3/8	1760	699	2097	796	4169	3369	4266	3466
60	7	7	4 ⁷ / ₁₆	3 ¹⁵ / ₁₆	D†	F	3/8	2763	855	3188	956	5315	3965	5416	4066
66	7	7	4 ⁷ / ₁₆	3 ¹⁵ / ₁₆	F*	F	3/8	4160	1061	4938	1210	7051	5901	7200	6050
73	7	7	4 ⁷ / ₁₆	4 ⁷ / ₁₆	F*	F*	3/8	6129	1248	7493	1486	7703	6423	7941	6661

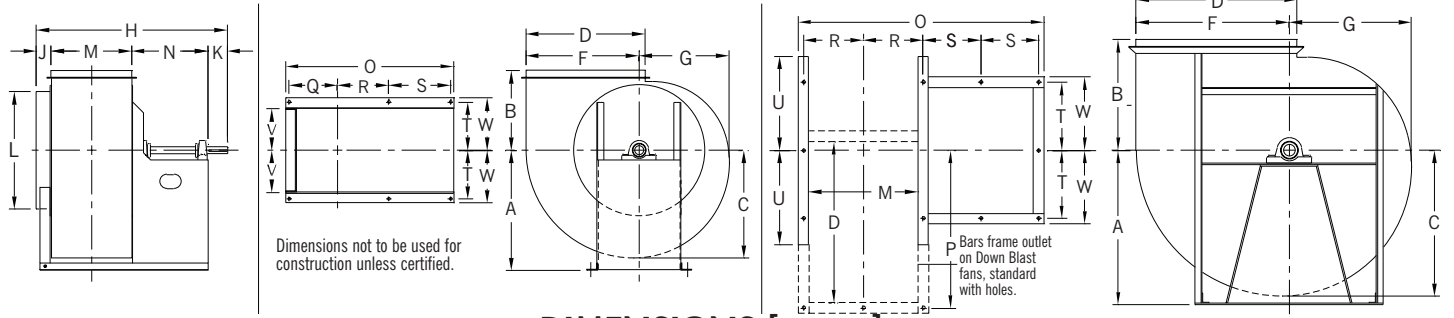
BEARING TYPES A—Link-Belt P3-U200. D—Sealmaster MPD. E—Link-Belt P-300. F—Link-Belt P-B22400. nyb reserves the right to substitute bearings of equal ratings.
 C—Sealmaster SPM. D†—Sealmaster MSPD. F*—Link-Belt P-B22500.

CLASS 1, 2 ARRANGEMENT 1, 8, 9 DIMENSIONS

SIZES 12 TO 73

SIZES 12 TO 36

SIZES 40 TO 73



DIMENSIONS [INCHES]

Size	A					B		C	D	F	G	H†		J	K	L	M†	N				O†	P	Q†	R†	S		T	U	V	W	a	b		c	d	Base holes
	TH TAD	BH BAU	UB TAU	DB	*	TAD	Class 1					Class 2	Class 1					Class 2	Class 1	Class 2	Class 1					Class 2	Class 1						Class 2	Class 1			
12	15½	15½	15½	15½	10	10	12¾	13¾	13	10¾	27½	28½	2½	2½	13½	9¾	13½	14½	25	26	6½	6½	107	117	7¾	8	11½	16¼	16¼	127/8	9¼	9/16					
15	17½	17½	17½	17½	12	12	15½	16¾	15¾	12¾	32	33¾	3½	3	16½	11¾	14½	16¾	28½	29½	7½	7½	117	135	87/8	8	14½	19¾	19¾	15¾	11¾	9/16					
18	21¼	21¼	21¼	21¼	14	14	18½	20½	19¾	15½	35½	38¾	3½	3½	20	137/8	14¾	177/8	31½	34¾	8½	9¾	11½	14¾	9¾	8¼	10¼	23¾	23¾	19½	137/8	9/16					
22	25½	25½	25½	25½	17	17	22½	247/8	23¾	187/8	417/8	45½	3½	4	24½	167/8	177/8	21½	37½	417/8	10½	11¾	14	17¾	107/8	9¾	11¾	21	28¾	28¾	23¼	16¾	9/16				
24	28	28	28	28	19	19	24¾	27¾	26	20¾	45½	50¾	4½	4½	27	18½	18	23¼	39¾	45	11¾	12½	137/8	19½	12¼	11	13	23½	317/8	317/8	25½	18½	¾				
27	30½	30½	30½	30½	20½	20½	27¼	30¼	28¾	22½	51	53½	4½	5	30	20¾	21½	24	45½	47¾	12¾	13¾	17¾	197/8	13¾	11¾	14¾	28¼	28¼	247/8	20¾	¾	¾				
30	33¾	33¾	33¾	33¾	22½	22½	30¾	33¾	317/8	25¾	53¾	57¾	4½	5½	33	22¾	21½	25½	47¾	51¾	13½	14½	17¾	21¾	13¾	11¾	14¾	31¾	31¾	38¾	31¾	22¾	¾				
33	37	37	37	37	24½	24½	33¾	36¾	35	28	58¼	63¾	4½	6	36½	24¾	23¼	28¾	51¾	567/8	14¾	15¾	19½	24½	16	14	17	31½	38¾	42½	25¼	¾	¾				
36	42	42	42	42	29	29	367/8	40¾	38¾	307/8	62¼	677/8	5	6½	40	27½	23¼	287/8	54	59½	157/8	17½	19	24½	16	14	17	34¾	477/8	477/8	38¼	27½	¾				
40	46	46	46	46	31	31	40¾	447/8	42¾	34½	73½	745/8	5	7	44¾	30¾	30¾	32¼	67½	68¾	16¾	16¾	16¾	19	19	26¼	38	52½	62¼	42½	30	7/8					
44	50	50	50	50	33½	33½	45	49¾	47¾	37¾	76¾	81¾	5	7½	49¾	33½	30¾	35¾	70¼	75¼	18¾	18¾	177/8	21	21	28¾	42	57	68	46½	33¾	7/8					
49	55	55	55	55	36	36	49½	54¾	52	41½	82½	85¾	5	8	54¾	367/8	32¼	35¾	75¾	78¾	15¾	20	177/8	23	23	31¼	46¾	62¼	74¾	51¼	36½	7/8					
54	60½	60½	60½	60½	40	40	58¾	64¾	60¾	57½	88½	97	6	8½	60¼	40¾	33¼	41¾	82	90½	16¾	22¾	207/8	25	25	35	51½	69	82¾	56¾	41	1					
60	66	66	66	66	43	43	64½	70¾	66¾	63¾	93¼	101¾	6	9	67	45	33¼	41¾	86¼	94¼	16¾	24½	207/8	26½	26½	38½	56¾	75½	90¾	617/8	45¾	1					
66	73	73	73	73	47	47	70¼	77¾	73¾	70	103¾	108¾	7	9½	73½	49½	37¾	42¾	97¼	102¼	187/8	27¼	21¾	29	29	42¼	62¼	82¾	99¾	69¾	497/8	1					
73	80½	80½	80½	80½	51½	51½	76½	81¼	77¾	73¾	109½	123½	7	10	81½	54¾	37¾	51¾	102½	116½	187/8	297/8	257/8	33½	36	46¼	687/8	91¼	1087/8	76¾	557/8	1					

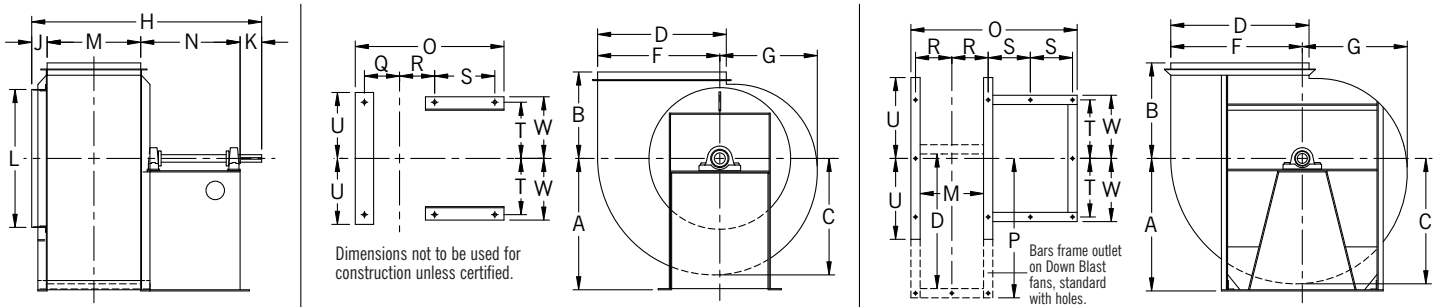
*For TH, BH, UB, DB, BAU and TAU discharge. †Dimensions may vary with narrow-width construction. J is from housing side over inlet collar. L, M, and D are outside dimensions. Tolerance: ± 1/8"

CLASS 3 ARRANGEMENT 1, 8, 9 DIMENSIONS

SIZES 18 TO 73

SIZES 18 TO 33

SIZES 36 TO 73



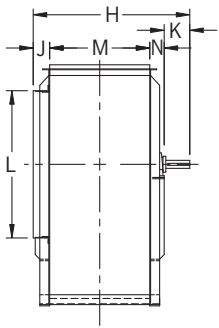
DIMENSIONS [INCHES]

Size	A					B		C	D	F	G	H†	J	K	L	M†	N	O†	P	Q†	R†	S	T	U	W	a	b		c	d	Base holes
	TH TAD	BH BAU	UB TAU	DB	*	TAD	BAU TAU																				TAD				
18	21¾	21¾	21¾	21¾	14	14	18½	20½	19¾	15½	37½	3¾	4	20¾	137/8	16½	33¾	8¾	8½	13¾	9¾	107/8	10¼	17¼	23¾	23¾	19½	137/8	9/16		
22	26	26	26	26	17	17	22½	247/8	23¾	187/8	45¾	3½	4½	25½	167/8	21¼	41¾	10¼	10	18½	107/8	12¾	11¾	21	28¾	28¾	23¼	16¾	9/16		
24	28½	28½	28½	28½	19	19	24¾	27¾	26	20¾	497/8	4½	5	27½	18½	22¼	45	11½	11¾	18½	12¼	14¾	13½	23½	317/8	317/8	25½	18½	¾		
27	31½	31½	31½	31½	20½	20½	27¼	30¼	28¾	227/8	53¼	4½	5½	30¼	20¾	23¼	477/8	12½	12½	19½	13¾	15½	147/8	25¾	34¾	34¾	28¼	20¾	¾		
30	34¾	34¾	34¾	34¾	22½	22½	30¾	33¾	317/8	25¾	58¾	4½	6	33¾	22¾	26	527/8	13¾	13¾	217/8	147/8	167/8	167/8	28¼	38¾	38¾	31¾	22¾	¾		
33	37¾	37¾	37¾	37¾	24½	24½	33¾	36¾	35	28	64	4½	6½	367/8	247/8	28½	57¾	14¾	14½	24¾	16	18¼	17¼	31½	42½	42½	34¾	25¼	¾		
36	42	42	42	42	29	29	41¼	45¼	42¾	34½	727/8	5	7	41	27½	27	60½	40¼	15¼	13½	17½	24½	19	34¾	477/8	57¼	38¼	27½	7/8		
40	46	46	46	46	31	31	45¼	49¾	47¾	37¾	79½	5	7½	44¾	30¾	30	66¾	44¼	16¾	15	19	26¼	20½	38	52½	62¼	42½	30	7/8		
44	50	50	50	50	33½	33½	49	54¾	52	41½	86¾	5	8	49¾	33½	33	727/8	48¾	18¼	16½	21	28¾	22½	42	57	68	46½	33¾	7/8		
49	55	55	55	55	36	36	53¼	49½	54¾	52	86¾	5	8½	54¾	367/8	36	78½	53½	20	18	23	31¼	24½	46¾	62¼	74¾	51¼	36½	7/8		
54	60½	60½	60½	60½	40	40	58¾	64¾	60¾	57½	95¾	6	9	60¼	40¾	40	88¾	59¾	22¾	20	25	35	27	51½	69	82¾	56¾	41	1		
60	66	66	66	66	43	43	64½	70¾	66¾	63¾	105½	6	9½	67	45	45	98	65¾	24½	22½	26½	38½	28½	56¾	75½	90¾	617/8	45¾	1		
66	73	73	73	73	47	47	70¼	77¾	73¾	70	115½	7	10	73½	49½	49	108½	72½	27¼	24½	29	42¼	31	62¼	82¾	99¾	69¾	497/8	1		
73	84	84	84	84	51½	51½	76½	81¼	77¾	73¾	126¼	7	10½	81½	54¾	54	118¾	80	297/8	27	33½	46¼	36	687/8	91¼	1087/8	76¾	557/8	1		

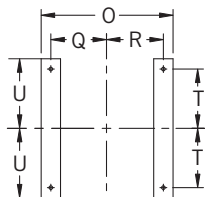
*For TH, BH, UB, DB, BAU and TAU discharge. †Dimensions may vary with narrow-width construction. J is from housing side over inlet collar. L, M, and D are outside dimensions. Tolerance: ± 1/8"

CLASS 1, 2, 3 ARRANGEMENT 3 DIMENSIONS

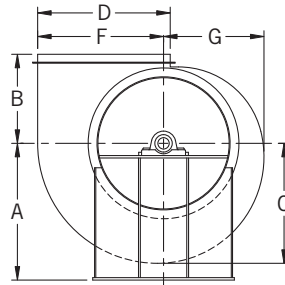
SIZES 24 TO 73



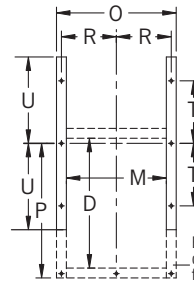
SIZES 24 TO 33



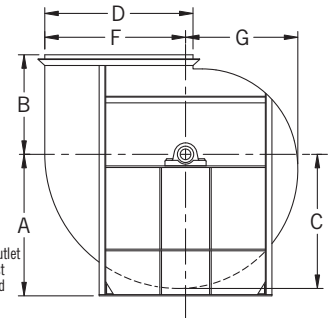
Dimensions not to be used for construction unless certified.



SIZES 36 TO 73



Bars frame outlet on Down Blast fans, standard with holes.



DIMENSIONS [INCHES]

Size	A				B		C	D	F	G	H			J	K	
	TH TAD	BH BAU	UB TAU	DB	*	TAD					Class 1	Class 2	Class 3		Class 1, 2	Class 3
24	28	28	28	28	19	19	24 ³ / ₄	27 ³ / ₈	26	20 ³ / ₄	29 ³ / ₄	29 ³ / ₄	30 ¹ / ₄	4 ¹ / ₈	4 ¹ / ₂	5
27	30 ¹ / ₂	30 ¹ / ₂	30 ¹ / ₂	30 ¹ / ₂	20 ¹ / ₂	20 ¹ / ₂	27 ¹ / ₄	30 ¹ / ₄	28 ⁵ / ₈	22 ⁷ / ₈	32 ¹ / ₈	32 ¹ / ₈	32 ⁵ / ₈	4 ¹ / ₈	5	5 ¹ / ₂
30	33 ³ / ₄	33 ³ / ₄	33 ³ / ₄	33 ³ / ₄	22 ¹ / ₂	22 ¹ / ₂	30 ³ / ₈	33 ¹ / ₂	31 ⁷ / ₈	25 ³ / ₈	34 ⁷ / ₈	34 ⁷ / ₈	35 ⁷ / ₈	4 ¹ / ₈	5 ¹ / ₄	6
33	37	37	37	37	24 ¹ / ₂	24 ¹ / ₂	33 ³ / ₈	36 ⁷ / ₈	35	28	38 ⁵ / ₈	38 ⁵ / ₈	40 ⁵ / ₈	5 ¹ / ₈	5 ³ / ₄	6 ¹ / ₂
36	33	42	39	29	29	41 ³ / ₄	36 ⁷ / ₈	40 ³ / ₄	38 ³ / ₄	30 ⁷ / ₈	43	43	44 ¹ / ₂	6	6 ¹ / ₂	7
40	36	46	43	31	31	45 ¹ / ₄	40 ³ / ₄	44 ⁷ / ₈	42 ³ / ₄	34 ¹ / ₈	47 ³ / ₈	47 ¹ / ₂	49 ⁷ / ₈	7	7	7 ¹ / ₂
44	40	50	47	33 ¹ / ₂	49	49	45	49 ⁵ / ₈	47 ¹ / ₈	37 ³ / ₄	51	53	53 ¹ / ₂	7	7 ¹ / ₂	8
49	43 ¹ / ₂	55	51 ¹ / ₂	36	36	53 ¹ / ₄	49 ¹ / ₂	54 ⁵ / ₈	52	41 ¹ / ₂	55	56 ⁷ / ₈	57 ³ / ₈	7	8	8 ¹ / ₂
54	48	60 ¹ / ₂	57	40	40	58 ³ / ₄	54 ⁷ / ₈	60 ³ / ₈	57 ¹ / ₂	45 ⁷ / ₈	60 ¹ / ₄	61 ¹ / ₄	62	7	8 ¹ / ₂	9
60	53	66 ¹ / ₂	62 ¹ / ₂	43	43	64 ¹ / ₂	60 ³ / ₄	66 ⁷ / ₈	63 ³ / ₄	50 ⁷ / ₈	65	66 ¹ / ₄	67 ¹ / ₈	7	9	9 ¹ / ₂
66	58	73	69	47	47	70 ¹ / ₄	66 ³ / ₄	73 ¹ / ₂	70	56	71	71 ¹ / ₄	72 ¹ / ₈	7	9 ¹ / ₂	10
73	64	80 ¹ / ₂	76	51 ¹ / ₂	51 ¹ / ₂	76 ¹ / ₂	73 ⁷ / ₈	81 ¹ / ₄	77 ¹ / ₂	61 ⁷ / ₈	77	79 ³ / ₈	81 ¹ / ₄	9	10	10 ¹ / ₂

Size	L	M	N			O	P Q	R	T	U	a	b		C	d	Base holes
			Class 1	Class 2	Class 3							BAU TAU	TAD			
24	27 ⁵ / ₈	18 ¹ / ₂	2 ⁵ / ₈	2 ⁵ / ₈	2 ⁵ / ₈	27 ¹ / ₈	11 ¹ / ₂	11 ¹ / ₂	12 ¹ / ₄	14 ³ / ₈	23 ¹ / ₈	31 ⁷ / ₈	31 ⁷ / ₈	25 ⁵ / ₈	18 ¹ / ₂	3/4
27	30 ¹ / ₄	20 ³ / ₈	2 ⁵ / ₈	2 ⁵ / ₈	2 ⁵ / ₈	29	12 ¹ / ₂	12 ¹ / ₂	13 ⁵ / ₈	15 ¹ / ₂	25 ³ / ₈	34 ³ / ₄	34 ³ / ₄	28 ¹ / ₄	20 ³ / ₈	3/4
30	33 ⁵ / ₈	22 ⁵ / ₈	2 ⁷ / ₈	2 ⁷ / ₈	2 ⁷ / ₈	31 ¹ / ₄	13 ⁵ / ₈	13 ⁵ / ₈	14 ⁷ / ₈	16 ⁷ / ₈	28 ¹ / ₄	38 ³ / ₈	38 ³ / ₈	31 ³ / ₈	22 ⁵ / ₈	3/4
33	36 ⁷ / ₈	24 ⁷ / ₈	2 ⁷ / ₈	2 ⁷ / ₈	4 ¹ / ₈	33 ¹ / ₂	14 ³ / ₄	14 ³ / ₄	16	18 ¹ / ₄	31 ¹ / ₈	42 ¹ / ₈	42 ¹ / ₈	34 ⁵ / ₈	25 ¹ / ₄	3/4
36	41	27 ¹ / ₂	3	3	4	33 ¹ / ₂	40 ¹ / ₄	15 ¹ / ₄	17 ¹ / ₂	24 ¹ / ₂	34 ³ / ₈	47 ⁷ / ₈	57 ¹ / ₄	38 ¹ / ₄	27 ¹ / ₂	7/8
40	44 ³ / ₄	30 ³ / ₈	3	3 ¹ / ₈	5	36 ³ / ₈	44 ¹ / ₄	16 ³ / ₄	19	26 ¹ / ₄	38	52 ¹ / ₈	62 ¹ / ₄	42 ¹ / ₈	30	7/8
44	49 ³ / ₄	33 ¹ / ₂	3	5	5	39 ¹ / ₂	48 ⁵ / ₈	18 ¹ / ₄	21	28 ³ / ₄	42	57	68	46 ¹ / ₂	33 ⁵ / ₈	7/8
49	54 ³ / ₄	36 ⁷ / ₈	3 ¹ / ₈	5	5	42 ⁷ / ₈	53 ¹ / ₂	20	23	31 ¹ / ₄	46 ¹ / ₈	62 ¹ / ₄	74 ³ / ₈	51 ¹ / ₄	36 ¹ / ₂	7/8
54	60 ¹ / ₄	40 ³ / ₄	4	5	5 ¹ / ₄	48 ³ / ₄	59 ¹ / ₂	22 ³ / ₈	25	35	51 ¹ / ₈	69	82 ³ / ₈	56 ³ / ₄	41	1
60	67	45	4	5 ¹ / ₄	5 ³ / ₈	53	65 ⁵ / ₈	24 ¹ / ₂	26 ¹ / ₂	38 ¹ / ₂	56 ⁵ / ₈	75 ¹ / ₂	90 ⁵ / ₈	61 ⁷ / ₈	45 ³ / ₈	1
66	73 ¹ / ₂	49 ¹ / ₂	5	5 ¹ / ₄	5 ⁵ / ₈	59 ¹ / ₂	72 ¹ / ₂	27 ¹ / ₄	29	42 ¹ / ₄	62 ¹ / ₄	82 ³ / ₄	99 ¹ / ₈	69 ¹ / ₈	49 ⁷ / ₈	1
73	81 ¹ / ₂	54 ³ / ₄	5 ¹ / ₄	5 ⁵ / ₈	7	64 ³ / ₄	79 ⁷ / ₈	29 ⁷ / ₈	33 ¹ / ₂	46 ¹ / ₄	68 ⁷ / ₈	91 ¹ / ₄	108 ⁷ / ₈	76 ³ / ₈	55 ¹ / ₈	1

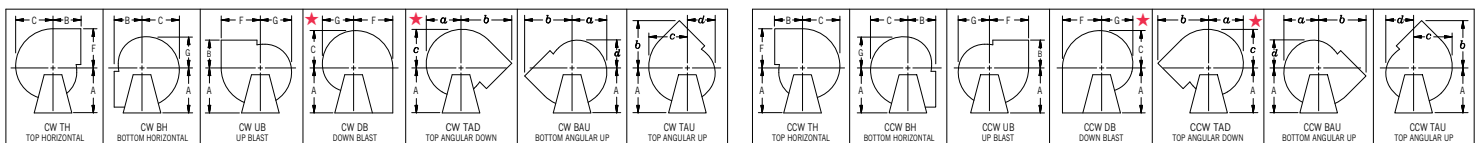
*For TH, BH, UB, DB, BAU and TAU discharge.

J is from housing side over inlet collar.

L, M, and D are outside dimensions.

Tolerance: ± 1/8"

FAN DISCHARGES – VIEWED FROM DRIVE SIDE



Clockwise—angular discharges at 45°

Counterclockwise—angular discharges at 45°

★ Down Blast and Top Angular Down discharge positions must be evaluated for clearance of accessories such as flanged outlet, outlet damper, unitary base, etc. Consult **nyb** with specific details.

The New York Blower Company has a policy of continuous product development and reserves the right to change designs and specifications without notice.