

MATERIAL SPECIFICATIONS

Dimensions in inches. Weight in pounds. WR² in lb.-ft.². Tolerance: ± 0.125".

WHEELS

Size	No. of blades	Wheel weight	Wheel WR ²	Bushing type	Shaft dia.	Bearings	Approximate bare fan weight						Housing Gauge
							9-M	9-R	9-S, 9-V, 9-D	4-M	4-R	4-S, 4-V, 4-D	
12	6	8.00	0.40	H	1.00	B	111.51	232.31	103.31	51.09	173.59	43.59	10
14	6	7.80	0.80	H	1.00	B	118.91	243.91	109.91	58.89	183.69	50.69	10
16	6	8.80	1.20	H	1.18	A	134.15	257.65	120.65	81.91	204.81	67.81	10
18	5	9.80	2.30	P1	1.18	A	145.51	277.41	130.41	93.47	224.57	78.57	10
21	5	10.30	3.30	P1	1.18	A	158.91	303.71	141.71	117.67	260.57	98.57	10
24	5	16.30	7.30	P1	1.44	B	223.71	413.11	202.11	133.26	323.26	112.06	10
27	5	17.30	10.00	P1	1.44	B	256.11	464.91	227.91	162.56	374.96	137.96	10
32	5	35.30	36.00	P1	1.68	B	359.91	660.31	325.31	235.22	535.02	199.02	10
36	7	43.30	6.50	P1	1.68	B	408.01	733.11	366.11	281.42	598.92	231.92	10
42	7	83.50	150.00	Q1	1.94	C	776.35	1166.65	698.65	370.33	776.23	308.23	10
48	7	85.50	208.00	Q1	1.94	C	819.65	1262.75	733.75	427.03	887.23	358.23	10
54	7	123.50	504.00	Q1	2.44	C	1093.58	1764.68	976.68	698.40	1380.00	592.00	7
60	7	133.50	651.00	Q1	2.44	C	1152.18	1902.78	1023.78	774.90	1537.00	658.00	7

Bearing Type: A- Flange Standard Duty Concentric Lock

B-Flange 4-Bolt Medium Duty Concentric Lock

C-Heavy Duty Ball Concentric Lock

nyb reserves the right to substitute bearings of equal ratings.

MOTOR SIZE LIMITS

Size	Arrangement 9		Arrangement 4	
	Max. C-[N-W]	Max. frame size	Max. C-[N-W]	Max. frame size
12	15.50	215T	14.81	145T
14	14.90	215T	14.90	145T
16	17.00	215T	17.00	184T
18	18.25	215T	17.52	184T
21	18.25	215T	19.52	184T
24	20.92	286T	17.90	184T
27	23.31	326T	17.90	184T
32	24.30	326T	22.85	286T
36	27.00	365T	25.30	286T
42	27.00	405T	29.60	326T
48	27.00	405T	30.77	326T
54	29.90*	445T	35.93	405T
60	29.90*	445T	35.93	405T

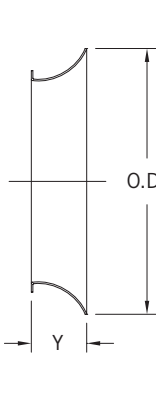
Arrangement 9 maximums are with or without weather cover. *Longer motors will extend beyond fan inlet; weather covers not available.

FAN FLANGE DIMENSIONS

Size	Flange gauge	Fan ID	Bolting circle			Flange OD	Flange slots*	
			Min.	Center	Max.		No.	Size†
12	10	12.25	—	14.00	—	14.75	8	0.43
14	10	14.25	—	16.00	—	16.75	8	0.43
16	10	16.25	—	18.00	—	18.75	8	0.43
18	10	18.25	19.63	20.00	20.38	21.25	8	0.44 x 0.81
21	10	21.25	22.63	23.00	23.38	24.25	8	0.44 x 0.81
24	10	24.38	25.75	26.13	26.50	27.38	8	0.44 x 0.81
27	10	27.38	28.75	29.13	29.50	30.38	8	0.44 x 0.81
32	10	32.50	33.88	34.25	34.63	35.50	16	0.44 x 0.81
36	10	36.50	38.00	38.38	38.75	40.50	16	0.44 x 0.81
42	10	42.75	45.00	45.00	45.63	47.13	16	0.56 x 1.00
48	10	48.75	50.75	51.00	51.63	53.13	16	0.56 x 1.00
54	7	55.00	57.00	57.38	57.88	59.50	16	0.56 x 1.00
60	7	61.00	63.00	63.38	63.88	65.50	16	0.56 x 1.00

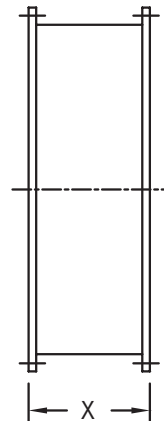
*Holes spaced equally, straddling centerline. †Sizes 168-608 have slotted holes.

INLET BELL DIMENSIONS



Size	Y	OD
12	2.13	16.25
14	2.50	19.00
16	3.00	21.75
18	3.25	24.25
21	3.75	28.25
24	4.13	32.13
27	4.75	36.38
32	5.75	43.50
36	6.25	48.50
42	7.25	56.75
48	8.25	64.75
54	9.25	73.00
60	10.25	81.00

INLET VANE DAMPER DIMENSIONS

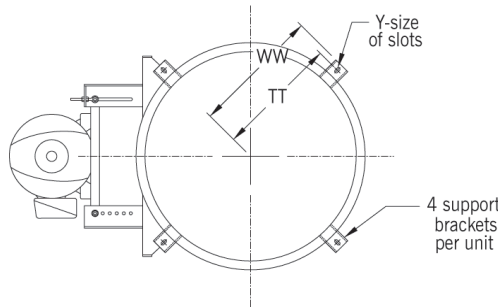
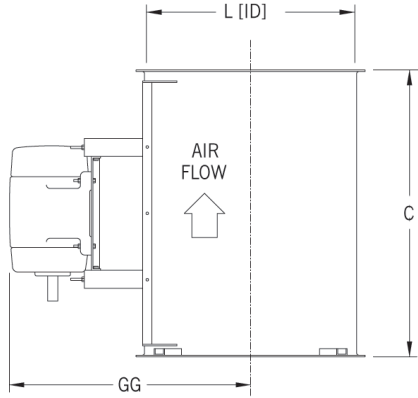


Size	X
12	9
14	9
16	9
18	10
21	10
24	10
27	10
32	10
36	10
42	11
48	11
54	11
60	12

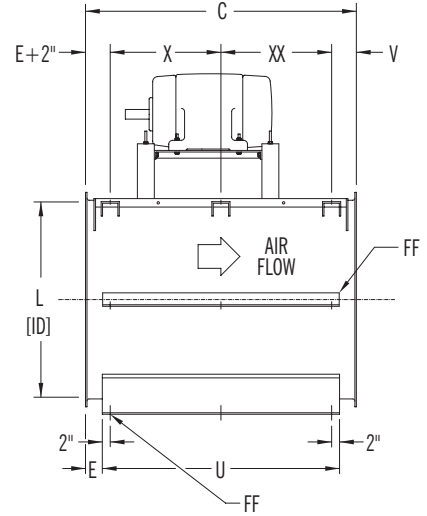
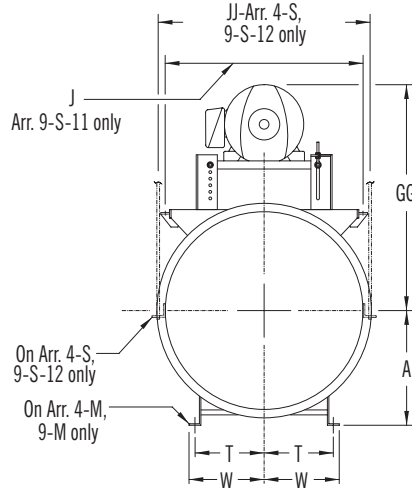
DIMENSIONS

Dimensions should not be used for construction unless certified. See page 6 for available mounting positions. Note motor size limits on page 7. Tolerance: $\pm 0.125"$.

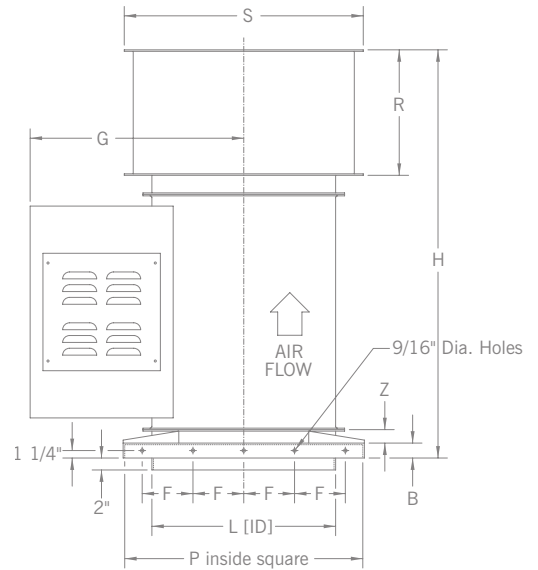
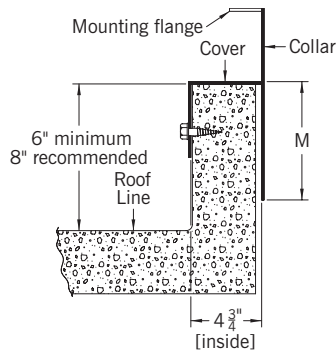
ARRANGEMENT 4-V AND 9-V



ARRANGEMENT 4-M AND 9-M, 4-S AND 9-S, AND 4-D AND 9-D



ARRANGEMENT 4-R AND 9-R [ROOF-MOUNTED] WITH EXHAUST-TYPE STACK HOOD.



DIMENSIONS

DIMENSIONS [INCHES]

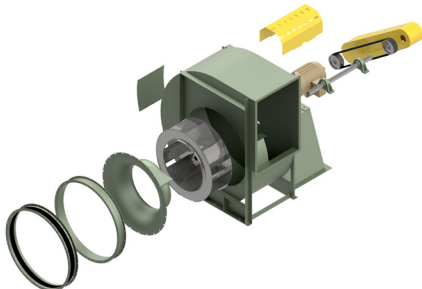
Size	A	B	C		E	F	FF*	G	GG [max]	H		J	JJ	L
			Arr. 4	Arr. 9						Arr. 4	Arr. 9			
12	8.75	2.50	20.50	22.00	3.25	4.50	0.57	25.25	23.70	42.25	43.75	19.63	15.50	12.25
14	9.75	2.50	20.50	22.00	3.25	4.50	0.57	26.25	26.00	43.25	44.75	19.63	15.50	14.25
16	11.25	2.50	24.50	23.50	3.25	5.00	0.57	27.25	27.00	48.25	47.25	19.63	17.00	16.25
18	12.50	2.50	24.50	24.75	3.25	5.50	0.57	28.50	28.00	50.25	50.50	19.63	18.25	18.25
21	14.50	2.50	27.50	24.75	3.25	6.00	0.57	29.75	29.50	56.25	53.50	19.63	18.25	21.25
24	16.50	2.50	27.50	28.00	3.25	7.00	0.57	37.75	36.13	63.25	63.75	24.88	21.50	24.38
27	19.00	2.50	27.50	31.50	3.25	8.00	0.57	39.25	37.63	65.25	69.25	24.88	25.00	27.38
32	22.25	3.00	35.50	34.00	4.25	9.00	0.57	41.75	40.25	75.75	74.25	24.88	36.25	32.50
36	24.75	3.00	35.50	37.25	4.25	10.50	0.57	43.75	42.25	80.75	82.50	24.88	40.25	36.50
42	28.75	3.00	41.00	43.00	4.25	12.00	0.75	51.00	47.63	89.25	91.25	43.00	46.50	42.75
48	32.75	3.00	41.00	43.00	4.25	13.00	0.75	54.00	50.63	95.25	97.25	43.00	52.50	48.75
54	37.00	3.00	41.50	47.00	4.25	14.00	0.75	59.25	53.75	---	---	45.75	59.88	55.00
60	41.00	3.00	41.50	47.00	4.25	14.50	0.75	62.25	56.75	---	---	45.75	65.88	61.00

Size	M	P	R	S	T	TT	U		V	W	WW	Y
							Arr. 4	Arr. 9				
12	4.50	22.00	14.00	17.25	4.50	9.38	14.00	15.50	4.25	5.50	10.63	0.56 x 1.00
14	4.50	24.00	15.00	19.25	5.50	10.38	14.00	15.50	4.25	6.50	11.63	0.56 x 1.00
16	4.50	26.13	16.00	21.25	6.25	11.38	18.00	17.00	11.25	7.50	12.63	0.56 x 1.00
18	4.50	28.13	18.00	23.25	6.75	12.38	18.00	18.25	11.25	8.00	13.63	0.56 x 1.00
21	4.50	31.13	21.00	26.25	7.88	13.88	21.00	18.25	11.25	9.13	15.13	0.56 x 1.00
24	4.50	34.25	23.00	29.38	9.00	15.50	21.00	21.50	9.50	10.25	16.75	0.56 x 1.00
27	4.50	37.25	25.00	32.38	10.25	17.00	21.00	25.00	9.50	11.50	18.25	0.56 x 1.00
32	5.00	41.75	26.00	37.25	11.75	20.38	27.00	25.50	11.50	13.25	21.87	---
36	5.00	46.38	31.00	41.50	13.50	22.38	27.00	28.75	11.50	15.00	23.87	---
42	5.00	52.63	34.00	47.75	15.00	25.50	32.50	34.50	4.50	16.50	27.00	---
48	5.00	58.63	40.00	53.75	16.75	28.50	32.50	34.50	4.50	18.25	30.00	---
54	5.00	64.88	43.00	60.00	18.75	32.25	33.00	38.50	5.25	20.25	33.75	---
60	5.00	70.88	47.00	66.00	20.75	35.25	33.00	38.50	5.25	22.25	36.75	---

Tolerance: ± 0.12"

*FF: Mounting hole size; Sizes 12–48 use two holes per side; Sizes 54 and 60 use three holes per side.
 Dimensions X and XX pertain to Sizes 54 and 60 only: X = 17.25", XX = 18.25". Z = 2" on Sizes 12–22, 3" on Sizes 32–60.
 *Easy access construction for fan dimensions will vary. Check DOD for accurate drawings.

NOW AVAILABLE – ORDER REPLACEMENT PARTS ONLINE



Using our online ordering platform, most replacement components for fans ordered after 2000 can be ordered on our website at <https://apps.nyb.com/InternetSales/>.

BENEFITS TO ORDERING ONLINE INCLUDE:

- Expected lead time at the time of order
- Expedited shipping option (if desired)
- Payment by credit card
- Shipping anywhere in the U.S. or Canada
- Global shipping with freight forwarder

The New York Blower Company has a policy of continuous product development and reserves the right to change designs and specifications without notice.