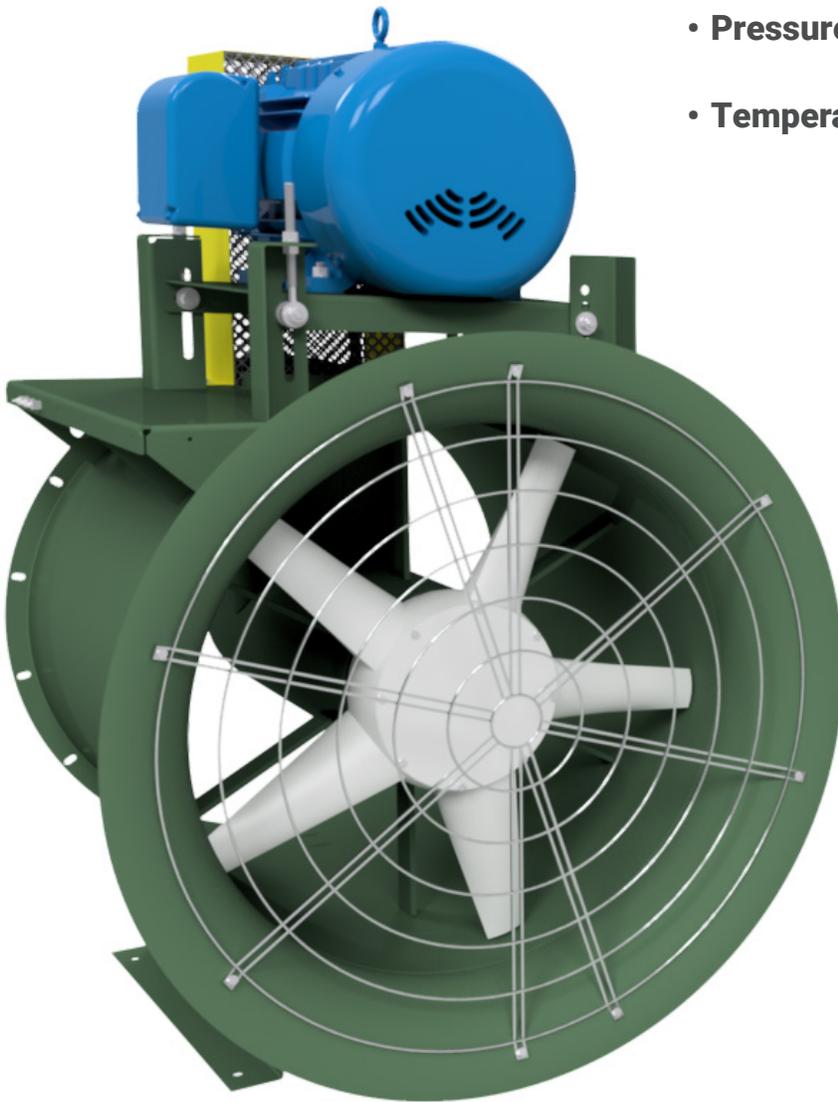
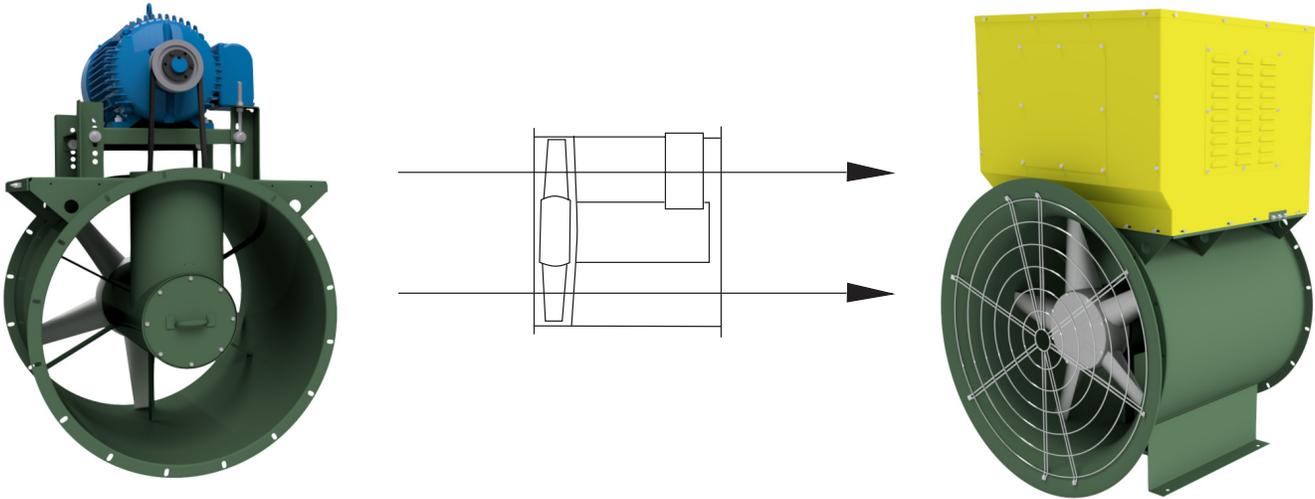


TUBEAXIAL FIXED PITCH

- Capacities to 86,000 cfm (146,000 m³/hr)
- Pressures to 3" wg (747 Pa)
- Temperatures to 200°F (90°C)



FAN INFORMATION



TUBEAXIAL FIXED PITCH (TXFP) FANS

Tubeaxial Fixed Pitch (TXFP) Fans are designed and constructed for moderate pressure ventilating and industrial process applications requiring the compactness of an axial fan.

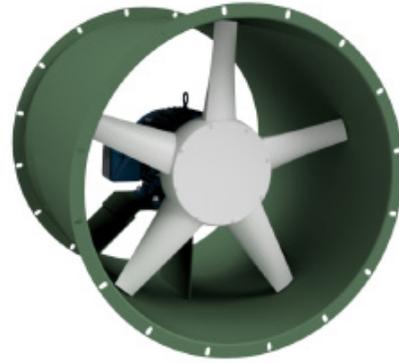
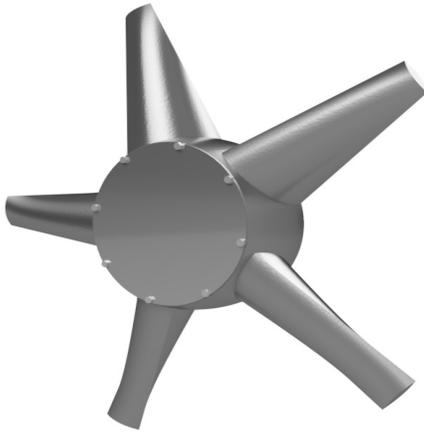
DESIGN FEATURES

- Capacities to 86,000 cfm (146,000 m³/hr)
- Pressures to 3" wg (747 Pa)
- Temperatures to 200°F (90°C)
- Thirteen belt-drive sizes: 12"–60" (305mm–1,524mm) wheel diameters.
- Thirteen direct-drive sizes: 12"–60" (305mm–1,524mm) wheel diameters.
- Choice of arrangements—direct-drive or belt-drive in five mounting positions [see page 6].
- Precision rolled tube for minimum tip clearance and maximum efficiency.
- Industrial air moving applications
 - o heat, smoke and fume removal
 - o process drying with ambient or preheated air
 - o comfort and process cooling
 - o general ventilation

CONSTRUCTION FEATURES

- Adjustable motor mount features positive screw adjustment for ease in adjusting belt tension.
- Cast aluminum wheel with airfoil blades provide highly efficient, quiet operation for clean-air applications.
- Bearings selected to provide long service life.
- Heavy-gauge welded components provide structural strength, durability, and minimal leakage.
- Finish **nyb** green industrial grade coating.
- Flanged connections on Sizes 12–36 integral to housing, Sizes 42–60 welded bar...all flange standard with slotted holes.
- Extended motor lubrication lines with external fittings provided on all belt-drive Tubeaxial Fans.
- Shafting straightened to close tolerance to minimize "run out" and ensure smooth operation.
- All wheels are precision-balanced prior to assembly. Fans with motors and drives mounted by **nyb** are checked at the specified running speed.
- Shaft and bearing cover isolates bearings and drive from airstream, for less maintenance and longer life.
- Taper lock hub for ease in wheel removal.
- Custom blade pitch is available at time of order to optimize performance for specific application requirements.

WHEEL DESIGN



WHEELS DESIGNED TO MAXIMIZE PERFORMANCE

New York Blower's Tubeaxial Fixed Pitch (TXFP) Fans feature cast-aluminum airfoil wheels in all sizes. Each wheel is designed to maximize fan performance by optimizing the shape, number, and pitch of blades with hub diameters.

Two distinct wheel concepts are used to meet specific volume and pressure requirements across the entire line of thirteen sizes.

New York Blower's TXFP Fans provide relatively large volumes of air at moderate static pressures. For even higher pressure requirements, see New York Blower's Vaneaxial Fixed Pitch (VXFP), Tubular Centrifugal and Vaneaxial Adjustable Pitch (VXAP) Fans. For systems requiring lower pressure, refer to New York Blower's Industrial Duct Fan.

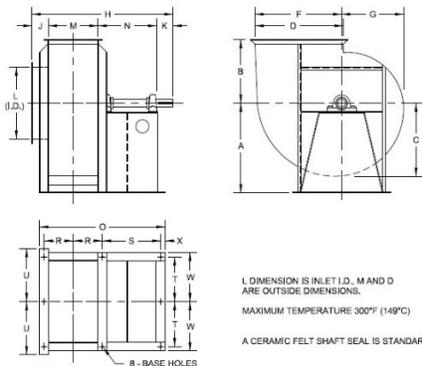
APPLICATION ADVANTAGES

New York Blower's Tubeaxial Fixed Pitch (TXFP) Fans are designed for ventilation and industrial-process applications. Uses include heat, smoke, and fume removal; process drying with ambient or preheated air; comfort and process cooling and general ventilation. All applications can be handled in either supply or exhaust configurations. Numerous modifications and accessories make the TXFP suitable for a wide range of systems.

In applications where equipment space is at a premium, the compact flow-through design of the Axial fan can reduce system space requirements by more than 50% over conventional centrifugal fans. The straight, in-line design eliminates the need for costly, space-consuming transitions, elbows, and inlet boxes.

Additional application advantages and installed cost savings are provided by the Axial fan's five predesigned mounting arrangements [see page 6]. TXFP Fans utilize the same flange dimensions as the Vaneaxial and Duct Fan lines allowing interchangeability due to system redesign or process modification.

DRAWINGS ON DEMAND



Drawings on Demand can generate a fan drawing package specifically tailored to the user's application requirements. Included are the abilities to select the fan's rotation, discharge position, accessories, motor frame size and u-base. Once selected, a complete drawing package will be available to print, save, or view visit <https://apps.nyb.com/drawingsondemand/>

PROGRAM BENEFITS

- No software to download.
- Upload selection from Fan-to-Size to quickly access drawings.
- Create drawings for older files.
- Choose from a wide selection of accessories.
- Option to add customer information to drawings.
- Files types are DWG, PDF, STP (To-Scale only).
- Can add option to include Installation & Maintenance manual.

ACCESSORIES

COMPANION FLANGES

Fit flush with fan inlet and outlet flanges, provided with matching hole pattern.

CURB CAP

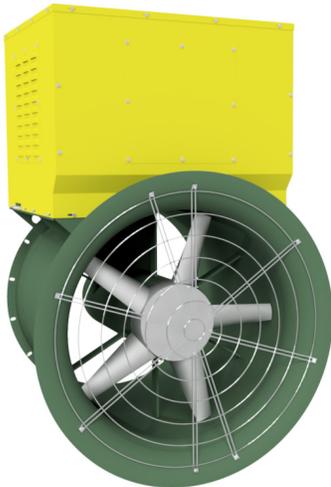
Gusseted cover with nailer holes on perimeter includes flange for fan mounting.

DRAINS

For horizontal mounted fans...drain located at the lowest point of the housing tube.

FLUSH MOUNTED ACCESS/INSPECTION DOOR

Gasketed, flush bolted (all Sizes) or quick-opening (Sizes 24 and larger) door swings open on hinges after turning cam levers. Inspection port available on smaller sizes. Provides easy access to wheel without the need to remove ductwork.



Arrangement 9-M with optional inlet bell, inlet bell guard, motor, drive, and weather cover.



Arrangement 9-R with easy access construction — shows unit with door hinged open.

INLET BELL WITH GUARD

Inlet bell minimizes losses associated with non-ducted inlet applications. Includes wire guard.

INLET VANE DAMPER

Bolt-on damper assembly provides volume control...for modulating systems...electric and pneumatic damper operators also available.

VIBRATION ISOLATION

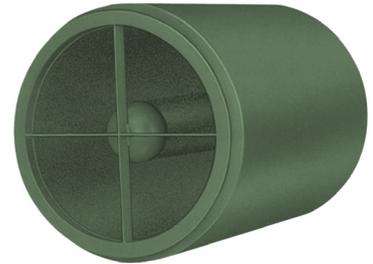
Rubber-in-shear or spring-type isolation mounts are available to prevent the transmission of vibration to the mounting structure.

SHAFT SEAL

Ceramic-felt seal elements encased between metal backing plate and retaining disc...elements can be easily split for field installation and maintenance...lubricated lip seals are also available.

SILENCER

Available for all sizes of Tubeaxial Fans with matching standard flanges for either inlet or outlet applications. Silencers are available in two sizes to better match system cost as well as sound attenuation parameters.



All silencers utilize heavy-welded steel construction filled with high-density acoustical absorption material. For more detailed application information and attenuation performance, refer to Engineering Supplement ES-673.

STACK HOOD

Stack hood with built-in back-draft dampers for outdoor exhaust applications.

SAFETY EQUIPMENT/GUARDS/WEATHER COVER

Belt guards, inlet guards, and weather covers are available. Selection of appropriate safety accessories is the responsibility of the system designer familiar with the specific installation.

SAFETY EQUIPMENT

Safety accessories are available from **nyb**, but selection of the appropriate devices is the responsibility of the system-designer who is familiar with the particular installation or application, and can provide guards for all exposed moving parts as well as protection from access to high-velocity airstreams. Neither **nyb** nor its sales representatives is in a position to make such a determination. Users and/or installers should read "Recommended Safety Practices for Air Moving Devices" as published by the Air Movement and Control Association International, Arlington Heights, Illinois.

MODIFICATIONS

nyb's catalog fans can be configured for specific industry or customer specifications for the petro-chemical, power, steel, food, marine, and nuclear industry. Some of these specifications include API-560, API-673 and AAR M-1003. nyb will manufacture our products using metric dimensions and locally available accessories such as bearings, couplings, etc. to meet global or regional standards or requirements.

SPECIAL COATINGS [5 TO 10 MIL THICKNESS]

Special paints and spray coatings are available under a variety of trade names. nyb works with experienced coating applicators who can apply coatings to meet a wide range of requirements..

MOTORS

A wide-array of motors are available factory-mounted by nyb.

SPARK RESISTANT CONSTRUCTION (SRC)

AMCA B (Wheel Type) SRC and AMCA C (Buffer Type) SRC available on Sizes 24–60, Arrangement 9 only. SRC construction not available with inlet damper, inlet guard, or easy-access construction.

EASY ACCESS CONSTRUCTION

For more difficult applications requiring inspection or cleaning of internal components, two optional door designs are available. Access doors are recommended for less dirty systems where inspection and limited cleaning of fan internals, such as the wheel, may be desirable. They are available in Sizes 12–60. Inspection hand hole with cover plate available on smaller sizes. Easy-access construction is recommended for those

requiring frequent and thorough cleaning. Wide doors open to expose wheel and motor in all direct-drive arrangements. Wheels are exposed in all belt-drive arrangements and shaft and bearings on Sizes 12 and larger where all components can be removed through the easy-access doors. Easy-access construction is available on mounting Arrangements 9-V, 9-S, 9-D, and 9-R and all Arrangement 4 fans.

EXTENDED SERVICE LIFE

Components for belt-drive fans are selected with up to a 1.7 service factor for sheaves and belts. Bearings are chosen for an average minimum L-10 Life of 80,000 hours and often exceed 100,000 hours.

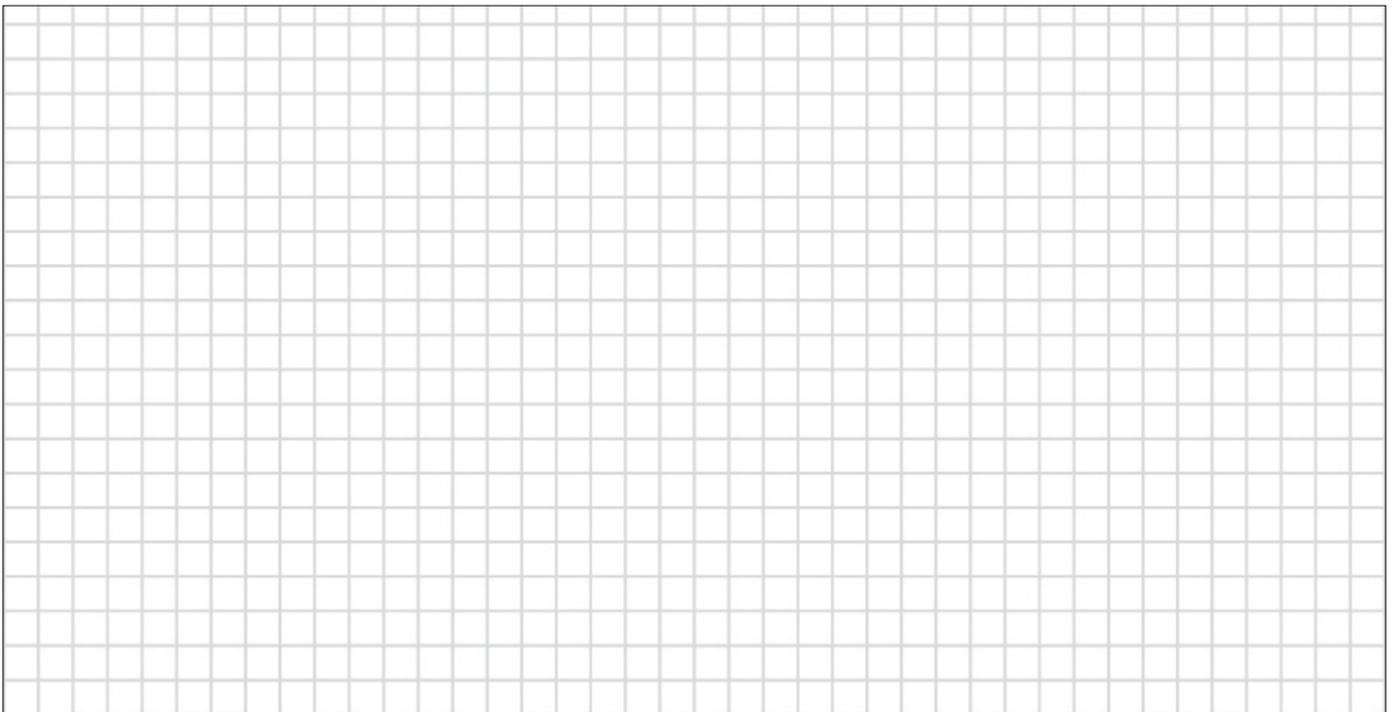
STANDARD SERVICE FEATURES

Attention to detail is an important next step in reducing maintenance expense. Features such as adjustable motor-mounting platforms for quick, sure belt-tensioning are provided as standard. Taper lock hubs are furnished for easier wheel removal. Extended bearing lubrication lines with external fittings located for ease of service are also a standard feature.

CUSTOM PRODUCTS AND TECHNICAL SUPPORT

Our experienced team of design engineers can find solutions for a wide variety of applications with our custom fans. Our heavy industrial manufacturing facilities can fabricate fans that exceed standard operating conditions. In addition, we have developed numerous engineering and application support tools for system designers and operators. Contact your local sales representative for more information.

NOTES



ARRANGEMENTS

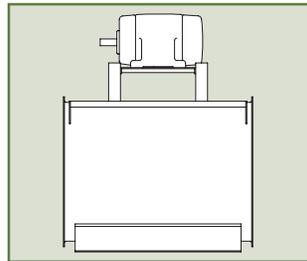


Arrangement 9-M with optional inlet bell, inlet bell guard, motor, drive, and belt guard.



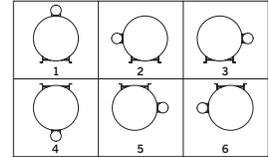
Arrangement 9-D

ARRANGEMENT 4-M and 9-M WITH MOUNTING LEGS

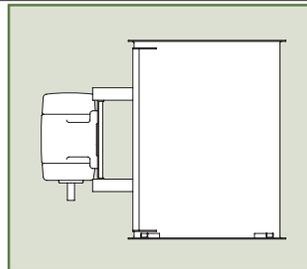


Fabricated mounting legs facilitate fan mounting on the floor, ceiling, or in a vertical position on a wall. Flange connections are standard.

9-M Mounting Positions
viewed from discharge end

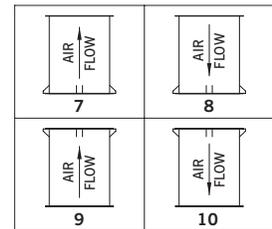


ARRANGEMENT 4-V and 9-V FOR VERTICAL MOUNTING

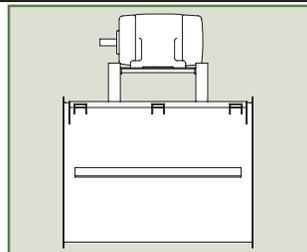


Fans are equipped with four mounting brackets suitable for floor, platform, or ceiling mounting. Motor is located on centerline between two of the four brackets on Arrangement 9. Flange connections are standard.

Mounting Positions

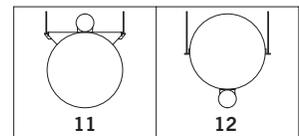


ARRANGEMENT 4-S and 9-S FOR SUSPENDED MOUNTING

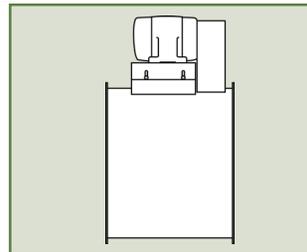


Fans for suspended mounting are equipped with side supports suitable for attachment to rods hung from the ceiling structure. Flange connections are standard.

9-S Mounting Positions

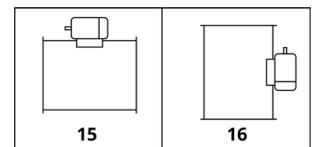


ARRANGEMENT 9-D FOR DUCT MOUNTING

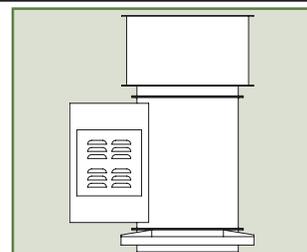


Units feature flanges on inlet and discharge for mounting to the duct work.

9-V Mounting Positions



ARRANGEMENT 4-R and 9-R FOR ROOF MOUNTING



Tubeaxial Fixed Pitch Fans are available with curb caps for outdoor exhaust applications. Roof-mounted units have round collars extending below the curb caps for easy connection to the duct system.

MATERIAL SPECIFICATIONS

Dimensions in inches. Weight in pounds. WR² in lb.-ft.². Tolerance: ± 0.125".

WHEELS

Size	No. of blades	Wheel weight	Wheel WR ²	Bushing type	Shaft dia.	Bearings	Approximate bare fan weight						Housing Gauge
							9-M	9-R	9-S, 9-V, 9-D	4-M	4-R	4-S, 4-V, 4-D	
12	6	8.00	0.40	H	1.00	B	111.51	232.31	103.31	51.09	173.59	43.59	10
14	6	7.80	0.80	H	1.00	B	118.91	243.91	109.91	58.89	183.69	50.69	10
16	6	8.80	1.20	H	1.18	A	134.15	257.65	120.65	81.91	204.81	67.81	10
18	5	9.80	2.30	P1	1.18	A	145.51	277.41	130.41	93.47	224.57	78.57	10
21	5	10.30	3.30	P1	1.18	A	158.91	303.71	141.71	117.67	260.57	98.57	10
24	5	16.30	7.30	P1	1.44	B	223.71	413.11	202.11	133.26	323.26	112.06	10
27	5	17.30	10.00	P1	1.44	B	256.11	464.91	227.91	162.56	374.96	137.96	10
32	5	35.30	36.00	P1	1.68	B	359.91	660.31	325.31	235.22	535.02	199.02	10
36	7	43.30	6.50	P1	1.68	B	408.01	733.11	366.11	281.42	598.92	231.92	10
42	7	83.50	150.00	Q1	1.94	C	776.35	1166.65	698.65	370.33	776.23	308.23	10
48	7	85.50	208.00	Q1	1.94	C	819.65	1262.75	733.75	427.03	887.23	358.23	10
54	7	123.50	504.00	Q1	2.44	C	1093.58	1764.68	976.68	698.40	1380.00	592.00	7
60	7	133.50	651.00	Q1	2.44	C	1152.18	1902.78	1023.78	774.90	1537.00	658.00	7

Bearing Type: A- Flange Standard Duty Concentric Lock

B-Flange 4-Bolt Medium Duty Concentric Lock

C-Heavy Duty Ball Centric Lock

nyb reserves the right to substitute bearings of equal ratings.

MOTOR SIZE LIMITS

Size	Arrangement 9		Arrangement 4	
	Max. C-[N-W]	Max. frame size	Max. C-[N-W]	Max. frame size
12	15.50	215T	14.81	145T
14	14.90	215T	14.90	145T
16	17.00	215T	17.00	184T
18	18.25	215T	17.52	184T
21	18.25	215T	19.52	184T
24	20.92	286T	17.90	184T
27	23.31	326T	17.90	184T
32	24.30	326T	22.85	286T
36	27.00	365T	25.30	286T
42	27.00	405T	29.60	326T
48	27.00	405T	30.77	326T
54	29.90*	445T	35.93	405T
60	29.90*	445T	35.93	405T

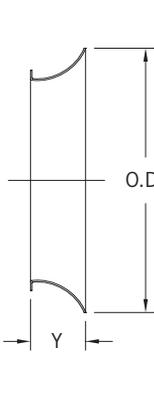
Arrangement 9 maximums are with or without weather cover. *Longer motors will extend beyond fan inlet; weather covers not available.

FAN FLANGE DIMENSIONS

Size	Flange gauge	Fan ID	Bolting circle			Flange OD	Flange slots*	
			Min.	Center	Max.		No.	Size†
12	10	12.25	—	14.00	—	14.75	8	0.43
14	10	14.25	—	16.00	—	16.75	8	0.43
16	10	16.25	—	18.00	—	18.75	8	0.43
18	10	18.25	19.63	20.00	20.38	21.25	8	0.44 x 0.81
21	10	21.25	22.63	23.00	23.38	24.25	8	0.44 x 0.81
24	10	24.38	25.75	26.13	26.50	27.38	8	0.44 x 0.81
27	10	27.38	28.75	29.13	29.50	30.38	8	0.44 x 0.81
32	10	32.50	33.88	34.25	34.63	35.50	16	0.44 x 0.81
36	10	36.50	38.00	38.38	38.75	40.50	16	0.44 x 0.81
42	10	42.75	45.00	45.00	45.63	47.13	16	0.56 x 1.00
48	10	48.75	50.75	51.00	51.63	53.13	16	0.56 x 1.00
54	7	55.00	57.00	57.38	57.88	59.50	16	0.56 x 1.00
60	7	61.00	63.00	63.38	63.88	65.50	16	0.56 x 1.00

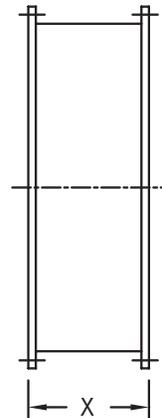
*Holes spaced equally, straddling centerline. †Sizes 168-608 have slotted holes.

INLET BELL DIMENSIONS



Size	Y	OD
12	2.13	16.25
14	2.50	19.00
16	3.00	21.75
18	3.25	24.25
21	3.75	28.25
24	4.13	32.13
27	4.75	36.38
32	5.75	43.50
36	6.25	48.50
42	7.25	56.75
48	8.25	64.75
54	9.25	73.00
60	10.25	81.00

INLET VANE DAMPER DIMENSIONS



Size	X
12	9
14	9
16	9
18	10
21	10
24	10
27	10
32	10
36	10
42	11
48	11
54	11
60	12

HOW TO USE PERFORMANCE TABLES

For a given fan size, volume, and static pressure, capacity tables can be used to obtain outlet velocity, fan speed, and power. If capacities are at conditions other than 70°F, sea level, or standard density [0.075 lb./cu. ft.], correction factors must be applied to static pressure and power.

Procedure	Steps	Example
If conditions other than standard are involved, correct static pressure for actual altitude and temperature using Chart IV.	1	A belt-drive fan is required for 18000 CFM at 3"WG at 100°F and 6000 feet above sea level. Chart IV gives a 1.33 factor for 100°F and 6000 feet. Corrected SP is 3"WG x 1.33 = 4"WG at 70°F and sea level. Select fan from capacity tables for 18000 CFM at 4"WG.
Select size, RPM, and BHP of fan from capacity table.	2	A Size 275 is selected for 18000 CFM at 4"WG at 2872 RPM and 22.7 BHP
Check maximum safe speed of fan at operating temperatures as shown in Charts II or III.	3	From Chart II and III, the maximum safe speed is a Size 275 fan at 100°F and 2906 RPM (2965 x 0.98). Fan is satisfactory for operation at 100°F
Determine actual performance at operating conditions by correcting SP and BHP.	4	Actual performance: 18000 CFM at 3"WG (4" ÷ 1.33) at 2872 RPM at 17.1 BHP (22.7 ÷ 1.33) at 100°F and 6000 feet above sea level.

FAN SELECTION

Fan-to-Size online for online selection of fans based on user's criteria. Once the product categories/types are selected and the operating conditions are entered, Fan-to-Size searches across one or more **nyb** products meeting the selection criteria. From the selection output, these is the option to view the curve, print the results or save the selection for future use. You can share selections with your **nyb** sales representative. Visit <http://apps.nyb.com/FanToSize/ProductSelection.aspx> to access the fan selection program.

SELECTION BENEFITS

- No software to download.
- Fast, accurate fan selection.
- Density corrections for altitude, temperature, and inlet pressure.
- Sound levels by octave band.
- Fan performance curves.
- Multiple model and size choices.
- Metric or Imperial units.
- Easily create a drawing package with your selection.

HOW TO USE PERFORMANCE TABLES

MAXIMUM OPERATING SPEED INFORMATION

Chart II details maximum operating speed of standard wheels at 70°F. When temperatures are involved, multiply the appropriate operating speed shown in Chart II by the factor shown in Chart III. Maximum operating temperature for standard Arrangement 4 fans is 105°F and for standard Arrangement 9 fans is 120°F. For temperatures above 120°F, as indicated by tinted areas in Charts III and IV select drive for a minimum of 2.0 service factor.

INLET BELL

Catalog ratings shown in this bulletin are for Tubeaxial Fixed Pitch (TXFP) Fans with free inlet and ducted outlet. When no inlet duct is used, entrance loss must be added to the static pressure calculated for the system. For bare inlets, that loss is equal to the fan velocity pressure. Example: 4200 FPM velocity = 1.1"WG [see Chart I at right]. Inlet bells render such loss negligible and are available at nominal cost. Sizes 12 through 48 constructed of fiberglass reinforced plastic; Sizes 54 and 60 constructed of steel.

CHART I
Velocity Pressure

Velocity [FPM]	VP
1000	0.06
1400	0.12
1800	0.20
2200	0.30
2600	0.42
3000	0.56
3400	0.72
3800	0.90
4200	1.10
4800	1.44
5000	1.56

CHART II
Maximum Operating Speeds for
Wheels at
Temperatures at 70°F

Size	RPM
12	3600
14	3600
16	3600
18	3900
21	3900
24	3170
27	2965
32	2380
36	2130
42	1770
48	1600
54	1385
60	1200

Maximum operating speeds apply only to wheels operated at or below stated temperature and free of material build-up, corrosion, or wear

CHART III
Temperature Correction Factors
for Wheel Safe Speeds

Temp. °F	Aluminum Wheel
-50	1.00
70	1.00
100	0.98
200	0.98

For temperatures above 120°F, as indicated by tinted areas, select drive for a minimum of 2.0 service factor.

CHART IV
Correction Factors for Temperature and Altitude

Temp. °F	Altitude—feet above sea level												
	0	500	1000	1500	2000	3000	4000	5000	6000	7000	8000	9000	10000
-50	0.77	0.79	0.80	0.82	0.83	0.86	0.89	0.92	0.96	1.00	1.04	1.08	1.12
-25	0.82	0.84	0.85	0.87	0.89	0.92	0.95	0.98	1.03	1.07	1.11	1.15	1.19
0	0.87	0.89	0.91	0.92	0.94	0.97	1.01	1.04	1.09	1.13	1.18	1.22	1.26
20	0.91	0.93	0.95	0.97	0.98	1.02	1.06	1.09	1.14	1.18	1.23	1.27	1.32
40	0.94	0.96	0.98	1.00	1.02	1.05	1.09	1.13	1.18	1.22	1.27	1.32	1.36
60	0.98	1.00	1.02	1.04	1.06	1.10	1.14	1.18	1.23	1.27	1.32	1.37	1.42
70	1.00	1.02	1.04	1.06	1.08	1.12	1.16	1.20	1.25	1.30	1.35	1.40	1.45
80	1.02	1.04	1.06	1.08	1.10	1.14	1.18	1.22	1.28	1.33	1.38	1.43	1.48
100	1.06	1.08	1.10	1.12	1.15	1.19	1.23	1.27	1.33	1.38	1.43	1.48	1.54
120	1.09	1.11	1.13	1.16	1.18	1.22	1.26	1.31	1.36	1.42	1.47	1.53	1.58
140	1.13	1.15	1.18	1.20	1.22	1.27	1.31	1.36	1.41	1.47	1.53	1.58	1.64
160	1.17	1.19	1.22	1.24	1.26	1.31	1.36	1.40	1.46	1.52	1.58	1.64	1.70
180	1.21	1.23	1.26	1.28	1.31	1.36	1.40	1.45	1.51	1.57	1.63	1.69	1.75
200	1.25	1.28	1.30	1.33	1.35	1.40	1.45	1.50	1.56	1.63	1.69	1.75	1.81

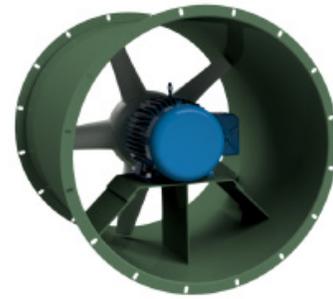
For temperatures above 120°F, as indicated by tinted areas, select drive for a minimum of 2.0 service factor.

PERFORMANCE FOR DIRECT-DRIVE FIXED PITCH (TXFP) FANS

DIRECT-DRIVE

Available in Sizes 12–60, the direct-drive TXFP Fan is ideally suited for relatively clean-air applications at temperatures to 105°F. Elimination of external motor mounting structure permits installation in extremely tight locations and reduction in overall unit weight. The Arrangement 4 configuration virtually eliminates all regularly scheduled maintenance.

External inlet vane dampers and variable frequency motor controllers are available to modulate air flow in process or commercial air-conditioning systems. Contact your New York Blower Sales Representative for assistance.



Size	RPM	0.13" SP		0.25" SP		0.50" SP		0.75" SP		1.00" SP		1.25" SP		1.50" SP		2.00" SP		2.25" SP		2.50" SP		3.00" SP	
		CFM	BHP	CFM	BHP	CFM	BHP	CFM	BHP	CFM	BHP	CFM	BHP	CFM	BHP	CFM	BHP	CFM	BHP	CFM	BHP	CFM	BHP
12	1725	1030	0.20	772	0.20	334	0.20	—	—	—	—	—	—	—	—	—	—	—	—	—	—	—	—
	3450	2192	0.90	2154	0.90	2061	0.90	1904	1.00	1543	0.90	911	0.90	849	0.90	—	—	—	—	—	—	—	—
14	1725	1515	0.20	1321	0.20	593	0.20	350	0.20	—	—	—	—	—	—	—	—	—	—	—	—	—	—
	3500	3292	1.10	3228	1.10	3228	1.10	2919	1.30	2709	1.40	2394	1.50	1928	1.40	1232	1.30	1232	1.30	—	—	—	—
16	1725	2653	0.37	2486	0.39	1137	0.38	721	0.41	404	0.46	55	0.52	—	—	—	—	—	—	—	—	—	—
	3500	4610	3.40	5631	2.94	5387	3.09	5222	3.18	5064	3.25	4900	3.32	4723	3.38	2376	3.14	2082	3.23	—	—	—	—
18	1725	3479	0.50	3115	0.50	1492	0.50	905	0.50	—	—	—	—	—	—	—	—	—	—	—	—	—	—
	3500	7608	3.30	7421	3.30	7079	3.40	6725	3.60	6364	3.60	5962	3.60	5428	3.50	3111	3.30	2793	3.40	—	—	—	—
21	1725	5233	0.70	4770	0.70	3611	0.70	2026	0.70	—	—	—	—	—	—	—	—	—	—	—	—	—	—
	3500	11334	0.70	11115	4.370	10644	4.90	10189	5.00	9734	5.10	9230	5.10	8673	5.20	7496	5.20	6698	5.00	5341	4.70	4222	5.10
24	1150	6029	0.60	5379	0.60	2333	0.60	1003	0.70	—	—	—	—	—	—	—	—	—	—	—	—	—	—
	1750	9681	1.80	9294	1.80	8477	1.90	7462	2.00	4089	1.80	3240	2.20	2274	2.40	—	—	—	—	—	—	—	—
27	1150	7814	0.70	7051	0.80	3064	0.80	1637	1.00	—	—	—	—	—	—	—	—	—	—	—	—	—	—
	1750	12422	2.40	12023	2.50	11084	2.60	9881	2.70	8472	2.70	4123	2.80	3211	3.00	—	—	—	—	—	—	—	—
32	1150	14201	2.00	13458	2.10	11584	2.20	6373	2.10	4455	2.30	—	—	—	—	—	—	—	—	—	—	—	—
	1750	22739	6.90	21956	7.00	20815	7.20	19699	7.40	18453	7.50	17128	7.60	—	—	8450	7.90	—	—	—	—	—	—
36	1175	20688	3.60	19605	3.70	17670	3.90	15562	4.20	11217	3.90	7454	4.10	6007	4.30	—	—	—	—	—	—	—	—
	1750	31592	11.50	30621	11.80	29504	12.10	28150	12.30	26878	12.60	25563	12.90	24147	13.50	20600	14.00	16170	12.80	12583	12.90	10168	13.90
42	1175	38630	11.30	37180	11.70	36027	12.10	34240	12.80	33209	13.20	28812	13.60	16878	12.80	15172	14.20	—	—	—	—	—	—
	1770	58737	36.80	58263	37.10	55973	40.00	56069	39.90	54944	40.70	53677	41.70	52458	42.70	50467	44.50	49474	45.20	48000	46.50	43895	46.70
48	875	35725	6.30	35021	6.40	32406	7.10	28406	7.30	17030	7.50	13754	8.20	10967	8.70	—	—	—	—	—	—	—	—
	1175	49947	15.40	48620	14.80	46660	15.70	44735	16.60	42635	17.30	39516	17.50	35819	18.00	20621	19.00	18503	19.80	16480	20.50	—	—
54	875	52368	12.10	51153	12.30	48392	13.10	44825	13.90	40816	14.70	34371	14.80	24431	15.50	19023	17.90	—	—	—	—	—	—
	1175	71408	27.90	71171	28.20	68254	29.90	66233	31.00	64100	32.00	61456	33.10	58316	34.30	52409	35.90	46321	35.70	35001	36.00	30584	39.90
60	875	63333	14.50	61702	14.60	58916	15.70	54960	16.60	48985	17.60	44307	18.10	34362	18.00	25988	21.00	—	—	—	—	—	—
	1175	85526	32.30	84649	32.70	83111	35.10	80467	37.00	78165	38.40	75315	39.70	71155	40.90	62932	43.40	59554	43.70	55312	43.40	41791	45.00

Performance shown is for installation Type B, Free inlet, Ducted outlet.
 Performance ratings do not include the effects of appurtenances in the airstream.
 Performance is shown for the following blade angles: Size 12–28°, Size 14–25°, Size 16–24°, Sizes (18–60) – 40°

PERFORMANCE FOR BELT DRIVE FIXED PITCH (TXFP) FANS

BELT-DRIVE

BELT-DRIVE TUBEAXIAL FIXED PITCH (TXFP) FANS

Belt-drive TXFP Fans are available in Sizes 12 through 60 for more aggressive airstreams or applications where temperatures may reach 200°F. Belt-drive arrangements include an inner tube and belt-well assembly that isolates bearings and drive components from airborne moisture and contaminants. In the event that system pressures or flow requirements change, belt-drive TXFP Fans offer inherent performance flexibility. New performance is easily achieved by modifying readily accessible drives.



SIZE		Speed Limit 3600 RPM				Wheel diameter: 12.00"				Blade angle: 28°				Inlet and outlet area: 0.81 sq.ft.									
CFM	OV	0.06" SP		0.13" SP		0.19" SP		0.25" SP		0.31" SP		0.38" SP		0.44" SP		0.50" SP		0.75" SP		0.87" SP		1.00" SP	
		RPM	BHP	RPM	BHP	RPM	BHP	RPM	BHP	RPM	BHP	RPM	BHP	RPM	BHP	RPM	BHP	RPM	BHP	RPM	BHP	RPM	BHP
700	864	1126	0.07	1281	0.09	1466	0.12	1678	0.15	1856	0.17	2010	0.20	2192	0.24	2322	0.28	2590	0.38	2678	0.43	2760	0.47
900	1111	1392	0.11	1483	0.12	1604	0.14	1741	0.17	1895	0.20	2058	0.23	2218	0.26	2352	0.29	2861	0.45	3044	0.54	3167	0.61
1100	1358	1669	0.15	1736	0.17	1815	0.18	1911	0.21	2018	0.23	2133	0.27	2254	0.30	2378	0.34	2880	0.47	3078	0.54	3286	0.64
1500	1852	2234	0.28	2283	0.30	2330	0.32	2383	0.34	2439	0.36	2501	0.39	2574	0.42	2652	0.45	2974	0.60	3157	0.69	3362	0.78
1600	1975	2377	0.32	2423	0.35	2468	0.37	2515	0.39	2563	0.41	2618	0.43	2679	0.46	2747	0.49	3042	0.63	3202	0.72	3380	0.82
1700	2099	2520	0.37	2563	0.40	2606	0.42	2649	0.44	2693	0.46	2740	0.48	2793	0.51	2852	0.54	3129	0.68	3271	0.76	3416	0.85
1750	2160	2591	0.39	2633	0.42	2675	0.45	2716	0.47	2759	0.49	2804	0.51	2853	0.53	2908	0.56	3168	0.70	3306	0.78	3447	0.87
1800	2222	2663	0.42	2704	0.45	2744	0.47	2785	0.50	2826	0.52	2869	0.54	2916	0.56	2967	0.59	3215	0.73	3342	0.81	3478	0.89
1850	2284	2735	0.45	2775	0.48	2814	0.50	2853	0.53	2893	0.55	2934	0.57	2979	0.59	3026	0.62	3259	0.76	3386	0.84	3520	0.92
1900	2346	2807	0.48	2845	0.51	2884	0.53	2922	0.56	2960	0.58	3000	0.60	3042	0.63	3085	0.65	3306	0.79	3431	0.87	3561	0.95
1950	2407	2878	0.51	2916	0.54	2954	0.56	2990	0.59	3028	0.61	3067	0.64	3106	0.66	3147	0.68	3358	0.82	3476	0.90	3594	0.98
2000	2469	2950	0.54	2987	0.57	3023	0.60	3060	0.62	3096	0.65	3133	0.67	3171	0.69	3213	0.72	3405	0.85	3521	0.93	—	—
2050	2531	3022	0.57	3058	0.60	3094	0.63	3130	0.66	3164	0.68	3200	0.71	3236	0.73	3274	0.76	3461	0.88	3566	0.96	—	—
2100	2593	3094	0.60	3129	0.64	3164	0.67	3199	0.70	3233	0.72	3268	0.75	3303	0.77	3339	0.80	3516	0.92	—	—	—	—
2150	2654	3166	0.64	3201	0.67	3235	0.71	3268	0.73	3302	0.76	3337	0.79	3370	0.81	3406	0.84	3571	0.95	—	—	—	—
2200	2716	3238	0.67	3272	0.71	3305	0.74	3338	0.77	3371	0.80	3403	0.83	3438	0.85	3472	0.88	—	—	—	—	—	—

SIZE		Speed Limit 3600 RPM				Wheel diameter: 14.00"				Blade angle: 25°				Inlet and outlet area: 1.10 sq.ft.									
CFM	OV	0.13" SP		0.25" SP		0.38" SP		0.50" SP		0.63" SP		0.75" SP		0.88" SP		1.00" SP		1.13" SP		1.25" SP		1.50" SP	
		RPM	BHP	RPM	BHP	RPM	BHP	RPM	BHP	RPM	BHP	RPM	BHP	RPM	BHP	RPM	BHP	RPM	BHP	RPM	BHP	RPM	BHP
1200	1091	1363	0.12	1557	0.17	1757	0.23	1923	0.29	2095	0.35	—	—	—	—	—	—	—	—	—	—	—	—
1400	1273	1534	0.15	1691	0.20	1867	0.27	2037	0.34	2183	0.40	2321	0.46	—	—	—	—	—	—	—	—	—	—
1600	1455	1713	0.19	1846	0.24	1991	0.31	2147	0.38	2296	0.45	2429	0.52	2553	0.60	2665	0.66	2802	0.73	—	—	—	—
1800	1636	1896	0.24	2013	0.29	2136	0.36	2268	0.43	2408	0.51	2541	0.59	2668	0.67	2777	0.75	2883	0.82	2990	0.89	—	—
2000	1818	2081	0.29	2187	0.35	2294	0.41	2408	0.49	2526	0.56	2650	0.65	2778	0.74	2896	0.83	3000	0.92	3099	1.00	3290	1.16
2200	2000	2269	0.35	2366	0.42	2462	0.48	2562	0.56	2664	0.63	2775	0.72	2886	0.81	3006	0.91	3114	1.01	3218	1.11	3401	1.29
2400	2182	2457	0.42	2546	0.49	2636	0.56	2724	0.63	2816	0.72	2910	0.80	3011	0.90	3115	0.99	3220	1.10	3322	1.20	3522	1.42
2600	2364	2648	0.51	2731	0.58	2813	0.65	2893	0.73	2976	0.81	3060	0.90	3153	0.99	3242	1.09	3337	1.19	3437	1.31	—	—
2700	2455	2743	0.55	2824	0.62	2903	0.70	2982	0.78	3061	0.86	3139	0.95	3226	1.05	3314	1.15	3402	1.25	3494	1.36	—	—
2800	2545	2839	0.60	2916	0.67	2993	0.75	3067	0.83	3145	0.92	3222	1.01	3300	1.10	3385	1.20	3466	1.30	3551	1.41	—	—
2900	2636	2934	0.65	3010	0.73	3084	0.81	3157	0.89	3228	0.97	3305	1.07	3381	1.16	3456	1.26	3535	1.36	—	—	—	—
3000	2727	3030	0.70	3104	0.79	3175	0.87	3246	0.95	3315	1.03	3386	1.13	3461	1.22	3535	1.33	—	—	—	—	—	—
3100	2818	3126	0.76	3197	0.84	3268	0.93	3337	1.01	3404	1.10	3471	1.19	3541	1.29	—	—	—	—	—	—	—	—
3200	2909	3222	0.82	3292	0.91	3359	0.99	3427	1.08	3492	1.17	3559	1.26	—	—	—	—	—	—	—	—	—	—
3300	3000	3319	0.89	3386	0.97	3453	1.06	3516	1.15	3582	1.24	—	—	—	—	—	—	—	—	—	—	—	—
3400	3091	3415	0.95	3481	1.04	3544	1.13	—	—	—	—	—	—	—	—	—	—	—	—	—	—	—	—

Performance certified is for installation Type B: Free inlet, Ducted outlet.
Performance ratings do not include the effects of appurtenances in the airstream.

PERFORMANCE FOR BELT-DRIVE FIXED PITCH (TXFP) FANS

BELT-DRIVE

SIZE		Speed Limit 3600 RPM						Wheel diameter: 16.00"				Blade angle: 24°				Inlet and outlet area: 1.44 sq.ft.							
CFM	OV	0.13" SP		0.25" SP		0.38" SP		0.50" SP		0.75" SP		1.00" SP		1.25" SP		1.50" SP		1.75" SP		2.00" SP		2.50" SP	
		RPM	BHP	RPM	BHP	RPM	BHP	RPM	BHP	RPM	BHP	RPM	BHP	RPM	BHP	RPM	BHP	RPM	BHP	RPM	BHP	RPM	BHP
1500	1042	1124	0.18	1331	0.24	1645	0.35	1909	0.46	2216	0.68	2448	0.91	2647	1.14	2819	1.37	2977	1.61	3120	1.86	3362	2.34
1800	1250	1295	0.22	1421	0.27	1623	0.36	1892	0.48	2327	0.75	2591	1.02	2800	1.29	2983	1.57	3151	1.85	3293	2.11	3566	2.70
2100	1458	1472	0.27	1577	0.33	1693	0.39	1879	0.50	2334	0.79	2688	1.11	2928	1.41	3124	1.73	3299	2.05	3453	2.37	—	—
2400	1666	1651	0.34	1746	0.40	1837	0.46	1946	0.54	2297	0.82	2709	1.17	3018	1.52	3250	1.89	3429	2.23	3593	2.58	—	—
2800	1944	1893	0.46	1980	0.53	2060	0.60	2137	0.67	2335	0.87	2658	1.21	3000	1.61	3319	2.03	3573	2.46	—	—	—	—
3000	2083	2014	0.53	2099	0.61	2174	0.68	2248	0.76	2405	0.93	2652	1.22	2980	1.64	3308	2.09	3587	2.52	—	—	—	—
3300	2291	2198	0.65	2279	0.74	2349	0.82	2416	0.90	2550	1.08	2717	1.30	2968	1.67	3258	2.12	3549	2.59	—	—	—	—
3600	2500	2382	0.79	2459	0.89	2527	0.98	2590	1.07	2711	1.26	2840	1.46	3014	1.75	3261	2.18	3525	2.67	—	—	—	—
3800	2639	2506	0.90	2580	1.01	2647	1.11	2706	1.20	2821	1.39	2940	1.59	3074	1.84	3266	2.20	3507	2.69	—	—	—	—
4000	2777	2630	1.02	2700	1.13	2765	1.24	2825	1.34	2934	1.54	3043	1.74	3166	1.98	3317	2.29	3522	2.74	—	—	—	—
4200	2916	2754	1.15	2823	1.27	2885	1.39	2943	1.49	3049	1.70	3153	1.91	3265	2.15	3389	2.43	3543	2.27	—	—	—	—
4400	3055	2879	1.30	2944	1.42	3005	1.54	3063	1.66	3166	1.88	3265	2.10	3367	2.33	3474	2.59	—	—	—	—	—	—
4600	3194	3003	1.46	3067	1.59	3127	1.72	3182	1.84	3283	2.07	3379	2.30	3476	2.54	3572	2.80	—	—	—	—	—	—
4800	3333	3129	1.63	3190	1.77	3248	1.90	3301	2.03	3402	2.28	3494	2.52	3584	2.76	—	—	—	—	—	—	—	—
5000	3472	3254	1.82	3312	1.96	3368	2.10	3422	2.24	3520	2.50	—	—	—	—	—	—	—	—	—	—	—	—
5200	3611	3379	2.02	3436	2.17	3491	2.32	3543	2.46	—	—	—	—	—	—	—	—	—	—	—	—	—	—

SIZE		Speed Limit 3900 RPM						Wheel diameter: 18.00"				Blade angle: 40°				Inlet and outlet area: 1.82 sq.ft.							
CFM	OV	0.13" SP		0.25" SP		0.38" SP		0.50" SP		0.75" SP		0.88" SP		1.00" SP		1.25" SP		1.50" SP		1.75" SP		2.00" SP	
		RPM	BHP	RPM	BHP	RPM	BHP	RPM	BHP	RPM	BHP	RPM	BHP	RPM	BHP	RPM	BHP	RPM	BHP	RPM	BHP	RPM	BHP
3000	1648	1460	0.33	1612	0.43	1758	0.52	1917	0.64	2231	0.92	—	—	—	—	—	—	—	—	—	—	—	—
3400	1868	1614	0.42	1752	0.53	1881	0.64	2014	0.75	2293	1.02	2427	1.17	2578	1.35	—	—	—	—	—	—	—	—
3800	2088	1771	0.52	1899	0.65	2018	0.78	2133	0.90	2375	1.15	2498	1.30	2623	1.47	2884	1.84	—	—	—	—	—	—
4400	2418	2010	0.72	2126	0.87	2233	1.02	2335	1.16	2535	1.42	2638	1.56	2745	1.72	2963	2.08	3181	2.48	3394	2.90	—	—
4800	2637	2173	0.89	2278	1.04	2379	1.20	2477	1.37	2660	1.65	2750	1.79	2842	1.93	3045	2.30	3240	2.68	3432	3.09	3632	3.55
5200	2857	2337	1.07	2435	1.24	2530	1.41	2622	1.59	2794	1.92	2877	2.06	2961	2.21	3138	2.54	3326	2.94	3503	3.35	3686	3.80
5600	3077	2503	1.29	2592	1.46	2683	1.64	2769	1.83	2933	2.20	3010	2.36	3091	2.53	3251	2.85	3411	3.21	3589	3.65	3758	4.11
5900	3242	2628	1.48	2712	1.65	2798	1.83	2883	2.04	3038	2.42	3113	2.61	3192	2.79	3338	3.12	3487	3.46	3656	3.90	3816	4.35
6200	3407	2753	1.68	2833	1.85	2915	2.05	2997	2.25	3149	2.67	3219	2.86	3292	3.05	3434	3.41	3572	3.75	3723	4.15	3875	4.59
6500	3571	2879	1.90	2956	2.08	3034	2.28	3113	2.49	3259	2.93	3328	3.13	3399	3.35	3532	3.72	3667	4.09	3801	4.45	—	—
6800	3736	3006	2.14	3077	2.32	3151	2.53	3228	2.75	3372	3.20	3439	3.42	3504	3.64	3634	4.06	3765	4.44	3894	4.82	—	—
7100	3901	3132	2.40	3201	2.59	3272	2.80	3344	3.02	3483	3.49	3549	3.73	3613	3.96	3739	4.40	3861	4.81	—	—	—	—
7400	4066	3259	2.68	3324	2.88	3392	3.09	3462	3.32	3598	3.81	3662	4.05	3724	4.30	3847	4.77	—	—	—	—	—	—
7600	4176	3343	2.88	3407	3.08	3473	3.30	3540	3.53	3673	4.03	3736	4.28	3798	4.53	—	—	—	—	—	—	—	—
7800	4286	3428	3.09	3490	3.30	3555	3.52	3619	3.75	3748	4.25	3810	4.51	3870	4.76	—	—	—	—	—	—	—	—
8000	4396	3513	3.31	3573	3.52	3636	3.75	3698	3.98	3827	4.50	3888	4.76	—	—	—	—	—	—	—	—	—	—

SIZE		Speed Limit 3900 RPM						Wheel diameter: 21.00"				Blade angle: 40°				Inlet and outlet area: 2.46 sq.ft.							
CFM	OV	0.13" SP		0.25" SP		0.38" SP		0.50" SP		0.75" SP		1.00" SP		1.25" SP		1.50" SP		1.75" SP		2.00" SP		2.50" SP	
		RPM	BHP	RPM	BHP	RPM	BHP	RPM	BHP	RPM	BHP	RPM	BHP	RPM	BHP	RPM	BHP	RPM	BHP	RPM	BHP	RPM	BHP
4500	1829	1522	0.48	1656	0.62	1788	0.77	1906	0.92	2127	1.24	2338	1.59	2536	1.97	2730	2.38	2935	2.86	3108	3.34	3378	4.32
5000	2033	1660	0.60	1785	0.75	1904	0.91	2020	1.08	2225	1.42	2419	1.78	2609	2.17	2785	2.58	2962	3.03	3143	3.52	3471	4.59
5500	2236	1800	0.74	1917	0.91	2026	1.07	2133	1.25	2333	1.62	2513	2.00	2692	2.40	2863	2.86	3025	3.27	3181	3.74	3505	4.81
6000	2439	1941	0.90	2052	1.09	2154	1.26	2253	1.45	2444	1.85	2618	2.25	2778	2.66	2944	3.11	3103	3.57	3256	4.06	3534	5.05
6500	2642	2082	1.09	2190	1.29	2285	1.48	2377	1.67	2556	2.09	2725	2.52	2883	2.97	3036	3.43	3179	3.88	3329	4.38	3603	5.42
7000	2846	2225	1.30	2328	1.52	2419	1.73	2505	1.93	2674	2.36	2838	2.83	2986	3.28	3132	3.77	3267	4.24	3415	4.77	3679	5.83
7500	3049	2369	1.55	2468	1.79	2554	2.01	2638	2.23	2797	2.67	2953	3.16	3101	3.66	3236	4.15	3365	4.64	3505	5.20	3761	6.28
8000	3252	2514	1.82	2608	2.08	2693	2.32	2772	2.55	2922	3.01	3070	3.51	3213	4.04	3349	4.57	3473	5.09	3594	5.62	3849	6.79
8500	3455	2658	2.12	2749	2.40	2831	2.66	2907	2.91	3048	3.39	3188	3.90	3328	4.45	3458	5.01	3589	5.59	3705	6.14	—	—
9000	3659	2804	2.46	2890	2.75	2970	3.03	3043	3.30	3181	3.82	3314	4.35	3445	4.90	3576	5.50	3696	6.08	3813	6.68	—	—
9500	3862	2950	2.84	3033	3.15	3109	3.44	3181	3.73	3315	4.28	3437	4.81	3564	5.39	3691	6.01	3811	6.63	—	—	—	—
10000	4065	3097	3.25	3175	3.58	3250	3.90	3320	4.20	3448	4.78	3567	5.34	3686	5.92	3808	6.56	—	—	—	—	—	—
10500	4268	3243	3.71	3320	4.05	3391	4.38	3460	4.71	3586	5.33	3703	5.93	3814	6.52	—	—	—	—	—	—	—	—
11000	4472	3391	4.21	3464	4.57	3534	4.92	3599	5.26	3723	5.92	3836	6.55	—	—	—	—	—	—	—	—	—	—
11500	4675	3538	4.75	3608	5.12	3676	5.50	3740	5.86	3859	6.54	—	—	—	—	—	—	—	—	—	—	—	—
12000	4878	3686	5.34	3754	5.73	3819	6.12	3882	6.51	—	—	—	—	—	—	—	—	—	—	—	—	—	—

Performance certified is for installation Type B: Free inlet, Ducted outlet.
Performance ratings do not include the effects of appurtenances in the airstream.

PERFORMANCE FOR BELT-DRIVE TUBEAXIAL FANS

BELT-DRIVE

SIZE 24		Speed Limit 3170 RPM				Wheel diameter: 24.00"				Blade angle: 40°				Inlet and outlet area: 3.24 sq.ft.									
CFM	OV	0.13" SP		0.25" SP		0.38" SP		0.50" SP		0.75" SP		1.00" SP		1.25" SP		1.50" SP		1.75" SP		2.00" SP		2.50" SP	
		RPM	BHP	RPM	BHP	RPM	BHP	RPM	BHP	RPM	BHP	RPM	BHP	RPM	BHP	RPM	BHP	RPM	BHP	RPM	BHP	RPM	BHP
6000	1852	1145	0.51	1239	0.67	1330	0.83	1417	1.00	1609	1.41	1816	1.89	2025	2.52	2218	3.17	2380	3.84	2499	4.50	2696	5.97
7000	2160	1307	0.79	1388	0.98	1465	1.18	1543	1.39	1700	1.85	1860	2.37	2044	2.98	2223	3.72	2391	4.53	2563	5.42	2830	7.17
8000	2469	1472	1.10	1543	1.30	1613	1.52	1681	1.75	1815	2.22	1951	2.76	2096	3.36	2247	4.00	2409	4.77	2568	5.67	2868	7.60
9000	2778	1639	1.47	1702	1.69	1764	1.93	1826	2.18	1947	2.70	2068	3.25	2189	3.85	2314	4.51	2449	5.22	2588	5.98	2874	7.89
10000	3086	1808	1.94	1865	2.17	1921	2.43	1979	2.71	2090	3.28	2195	3.84	2303	4.45	2408	5.09	2524	5.83	2640	6.59	2894	8.29
11000	3395	1978	2.50	2030	2.75	2081	3.02	2133	3.31	2235	3.93	2332	4.54	2434	5.20	2527	5.84	2628	6.57	2727	7.33	2937	8.98
12000	3704	2148	3.17	2197	3.44	2244	3.72	2290	4.02	2384	4.67	2476	5.35	2568	6.05	2659	6.75	2747	7.46	2837	8.22	3018	9.88
13000	4012	2319	3.94	2364	4.24	2408	4.54	2452	4.86	2538	5.53	2623	6.25	2710	7.01	2791	7.73	2872	8.47	2959	9.28	3121	10.90
13500	4167	2405	4.38	2448	4.68	2490	4.99	2533	5.32	2616	6.01	2700	6.76	2782	7.53	2862	8.30	2943	9.07	3019	9.82	—	—
14000	4321	2491	4.85	2533	5.16	2574	5.49	2614	5.82	2694	6.51	2775	7.28	2854	8.06	2933	8.87	3012	9.69	3087	10.50	—	—
14500	4475	2577	5.35	2617	5.67	2657	6.00	2697	6.35	2773	7.06	2850	7.83	2928	8.64	3003	9.45	3081	10.30	3154	11.10	—	—
15000	4630	2663	5.89	2702	6.22	2740	6.56	2779	6.91	2855	7.66	2929	8.43	3002	9.25	3076	10.10	3149	11.00	—	—	—	—
15500	4784	2749	6.46	2787	6.80	2824	7.15	2862	7.52	2935	8.27	3006	9.06	3080	9.91	3152	10.80	—	—	—	—	—	—
16000	4938	2835	7.06	2872	7.42	2908	7.78	2945	8.16	3014	8.91	3085	9.73	3156	10.60	—	—	—	—	—	—	—	—
16500	5093	2922	7.71	2958	8.08	2993	8.45	3028	8.83	3097	9.62	3164	10.40	—	—	—	—	—	—	—	—	—	—
17000	5247	3008	8.39	3043	8.77	3077	9.15	3111	9.54	—	—	—	—	—	—	—	—	—	—	—	—	—	—

SIZE 27		Speed Limit 2965 RPM				Wheel diameter: 27.00"				Blade angle: 40°				Inlet and outlet area: 4.09 sq.ft.									
CFM	OV	0.13" SP		0.25" SP		0.38" SP		0.50" SP		0.75" SP		1.00" SP		1.25" SP		1.50" SP		1.75" SP		2.00" SP		2.5" SP	
		RPM	BHP	RPM	BHP	RPM	BHP	RPM	BHP	RPM	BHP	RPM	BHP	RPM	BHP	RPM	BHP	RPM	BHP	RPM	BHP	RPM	BHP
9000	2200	1301	1.05	1373	1.28	1447	1.53	1523	1.81	1663	2.39	1791	2.97	1922	3.63	2067	4.42	—	—	—	—	—	—
10000	2445	1431	1.37	1495	1.61	1562	1.88	1629	2.17	1762	2.80	1883	3.43	1999	4.09	2116	4.82	2242	5.65	—	—	—	—
11000	2689	1562	1.75	1620	2.01	1680	2.29	1739	2.59	1863	3.26	1977	3.94	2090	4.66	2193	5.37	2296	6.13	2415	7.06	—	—
12000	2934	1694	2.20	1747	2.47	1800	2.76	1855	3.08	1969	3.78	2079	4.53	2185	5.29	2280	6.02	2379	6.83	2476	7.66	2683	9.60
13000	3178	1826	2.73	1876	3.02	1925	3.33	1974	3.65	2079	4.38	2184	5.18	2285	6.00	2377	6.79	2468	7.61	2556	8.44	2741	10.30
14000	3423	1959	3.34	2005	3.65	2051	3.97	2097	4.31	2192	5.06	2290	5.89	2385	6.75	2476	7.61	2564	8.49	2649	9.38	2810	11.20
15000	3667	2093	4.04	2136	4.37	2179	4.70	2220	5.05	2309	5.83	2397	6.66	2491	7.60	2576	8.49	2662	9.43	2744	10.40	2899	12.30
16000	3912	2227	4.83	2267	5.18	2307	5.53	2347	5.90	2428	6.69	2513	7.58	2599	8.52	2682	9.48	2762	10.40	2842	11.50	—	—
16500	4034	2294	5.26	2334	5.62	2373	5.99	2411	6.37	2489	7.17	2570	8.06	2652	8.99	2734	9.99	2813	11.00	2892	12.00	—	—
17000	4156	2361	5.72	2399	6.09	2437	6.47	2475	6.86	2550	7.66	2627	8.55	2708	9.53	2790	10.6	2864	11.50	2942	12.60	—	—
17500	4279	2428	6.21	2466	6.59	2502	6.97	2538	7.36	2611	8.19	2687	9.10	2764	10.10	2841	11.10	2919	12.20	—	—	—	—
18000	4401	2496	6.73	2532	7.11	2568	7.51	2603	7.91	2675	8.76	2747	9.67	2820	10.60	2896	11.70	—	—	—	—	—	—
18500	4523	2563	7.27	2598	7.67	2633	8.07	2667	8.48	2736	9.33	2806	10.30	2879	11.30	2951	12.30	—	—	—	—	—	—
19000	4645	2630	7.84	2665	8.25	2699	8.66	2732	9.08	2800	9.97	2869	10.90	2937	11.90	—	—	—	—	—	—	—	—
19500	4768	2698	8.44	2731	8.86	2764	9.28	2797	9.72	2863	10.60	2928	11.50	—	—	—	—	—	—	—	—	—	—
20000	4890	2765	9.08	2798	9.51	2830	9.93	2862	10.40	2927	11.30	—	—	—	—	—	—	—	—	—	—	—	—

SIZE 32		Speed Limit 2380 RPM				Wheel diameter: 32.00"				Blade angle: 40°				Inlet and outlet area: 5.76 sq.ft.									
CFM	OV	0.13" SP		0.25" SP		0.38" SP		0.50" SP		0.75" SP		1.00" SP		1.25" SP		1.50" SP		1.75" SP		2.00" SP		2.50" SP	
		RPM	BHP	RPM	BHP	RPM	BHP	RPM	BHP	RPM	BHP	RPM	BHP	RPM	BHP	RPM	BHP	RPM	BHP	RPM	BHP	RPM	BHP
14000	2431	1134	2.00	1188	2.34	1242	2.71	1296	3.11	1399	3.95	1492	4.78	1586	5.67	—	—	—	—	—	—	—	—
15000	2604	1207	2.39	1257	2.75	1308	3.13	1359	3.55	1456	4.42	1548	5.34	1635	6.24	1727	7.27	—	—	—	—	—	—
16000	2778	1281	2.84	1328	3.21	1375	3.61	1423	4.04	1517	4.96	1603	5.90	1688	6.89	1771	7.88	1858	9.01	—	—	—	—
17000	2951	1355	3.34	1400	3.73	1444	4.14	1489	4.59	1579	5.56	1662	6.54	1743	7.57	1821	8.60	1897	9.65	1981	10.90	—	—
18000	3125	1429	3.90	1472	4.31	1513	4.74	1557	5.21	1640	6.17	1722	7.24	1800	8.31	1873	9.37	1948	10.50	2020	11.60	—	—
19000	3299	1504	4.52	1545	4.95	1584	5.39	1624	5.87	1705	6.89	1785	8.00	1858	9.10	1931	10.30	2001	11.40	2068	12.50	2216	15.20
20000	3472	1579	5.21	1618	5.66	1656	6.13	1693	6.60	1769	7.65	1846	8.79	1919	9.97	1987	11.10	2057	12.40	2123	13.60	2253	16.10
21000	3646	1654	5.98	1691	6.44	1727	6.91	1763	7.42	1836	8.50	1909	9.66	1978	10.90	2046	12.10	2111	13.30	2176	14.60	2300	17.10
22000	3819	1729	6.81	1765	7.29	1799	7.79	1833	8.30	1902	9.40	1974	10.60	2040	11.80	2108	13.20	2172	14.50	2232	15.80	2354	18.40
23000	3993	1804	7.71	1839	8.22	1872	8.73	1905	9.27	1971	10.40	2038	11.60	2104	12.90	2168	14.30	2232	15.70	2292	17.00	—	—
24000	4167	1879	8.70	1913	9.22	1945	9.77	1976	10.30	2040	11.50	2104	12.80	2168	14.10	2231	15.50	2291	16.80	2350	18.30	—	—
25000	4340	1955	9.77	1987	10.30	2018	10.90	2049	11.50	2108	12.60	2170	13.90	2230	15.20	2293	16.70	2353	18.20	—	—	—	—
26000	4514	2030	10.90	2062	11.50	2092	12.10	2121	12.70	2179	13.90	2238	15.20	2297	16.60	2355	18.00	—	—	—	—	—	—
27000	4688	2106	12.20	2136	12.80	2166	13.40	2194	14.00	2250	15.20	2306	16.60	2363	18.00	—	—	—	—	—	—	—	—
28000	4861	2181	13.50	2211	14.10	2240	14.70	2267	15.40	2320	16.70	2375	18.00	—	—	—	—	—	—	—	—	—	—
29000	5035	2257	15.00	2286	15.60	2314	16.20	2341	16.90	—	—	—	—	—	—	—	—	—	—	—	—	—	—

Performance certified is for installation Type B: Free inlet, Ducted outlet.
Performance ratings do not include the effects of appurtenances in the airstream.

PERFORMANCE FOR BELT-DRIVE FIXED PITCH (TXFP) FANS

BELT-DRIVE

SIZE		Speed Limit 2130 RPM						Wheel diameter: 36.00"				Blade angle: 40°				Inlet and outlet area: 7.27 sq.ft.							
CFM	OV	0.13" SP		0.25" SP		0.50" SP		0.75" SP		1.00" SP		1.25" SP		1.50" SP		1.75" SP		2.00" SP		2.50" SP		3.00" SP	
		RPM	BHP	RPM	BHP	RPM	BHP	RPM	BHP	RPM	BHP	RPM	BHP	RPM	BHP	RPM	BHP	RPM	BHP	RPM	BHP	RPM	BHP
18000	2476	1039	2.58	1096	3.08	1190	4.07	1277	5.25	1358	6.53	1436	7.83	1519	9.26	1612	10.90	1703	12.50	1861	15.70	2009	19.20
20000	2751	1142	3.38	1195	3.94	1284	5.02	1365	6.22	1440	7.57	1514	9.00	1583	10.50	1656	12.00	1740	13.80	1904	17.40	2046	21.00
22000	3026	1247	4.34	1294	4.96	1381	6.16	1455	7.37	1527	8.77	1596	10.30	1661	11.90	1725	13.40	1793	15.20	1937	18.90	2083	23.00
24000	3301	1352	5.48	1395	6.15	1478	7.47	1550	8.77	1615	10.10	1681	11.80	1742	13.40	1804	15.10	1863	16.80	1983	20.00	2114	24.00
26000	3576	1458	6.82	1498	7.54	1577	8.99	1646	10.40	1709	11.80	1769	13.40	1830	15.20	1888	17.00	1942	18.80	2050	22.00	—	—
28000	3851	1564	8.38	1601	9.14	1675	10.70	1743	12.20	1804	13.70	1861	15.30	1917	17.10	1972	19.00	2025	21.00	2128	25.00	—	—
29000	3989	1618	9.23	1653	10.00	1725	11.60	1792	13.20	1852	14.80	1906	16.40	1962	18.10	2017	20.00	2070	22.00	—	—	—	—
30000	4127	1671	10.20	1705	11.00	1775	12.70	1840	14.30	1899	15.90	1954	17.50	2008	19.30	2061	21.00	2110	23.00	—	—	—	—
31000	4264	1725	11.10	1757	12.00	1825	13.70	1890	15.40	1948	17.10	2001	18.70	2055	21.00	2105	22.00	—	—	—	—	—	—
32000	4402	1778	12.20	1810	13.00	1875	14.80	1939	16.60	1996	18.30	2050	20.00	2101	22.00	—	—	—	—	—	—	—	—
33000	4539	1832	13.30	1862	14.20	1926	16.00	1988	17.80	2045	19.60	2097	21.00	—	—	—	—	—	—	—	—	—	—
34000	4677	1886	14.50	1915	15.40	1977	17.30	2038	19.20	2094	21.00	—	—	—	—	—	—	—	—	—	—	—	—
34500	4746	1912	15.10	1942	16.00	2002	17.90	2062	19.80	2118	22.00	—	—	—	—	—	—	—	—	—	—	—	—
35000	4814	1939	15.70	1968	16.60	2028	18.60	2086	21.00	—	—	—	—	—	—	—	—	—	—	—	—	—	—
35500	4883	1966	16.40	1995	17.30	2053	19.30	2112	21.00	—	—	—	—	—	—	—	—	—	—	—	—	—	—
36000	4952	1993	17.00	2021	18.00	2078	19.90	—	—	—	—	—	—	—	—	—	—	—	—	—	—	—	—

SIZE		Speed Limit 1770 RPM						Wheel diameter: 42.38"				Blade angle: 40°				Inlet and outlet area: 9.97 sq.ft.							
CFM	OV	0.13" SP		0.25" SP		0.50" SP		0.75" SP		1.00" SP		1.25" SP		1.50" SP		1.75" SP		2.00" SP		2.50" SP		3.00" SP	
		RPM	BHP	RPM	BHP	RPM	BHP	RPM	BHP	RPM	BHP	RPM	BHP	RPM	BHP	RPM	BHP	RPM	BHP	RPM	BHP	RPM	BHP
26000	2608	810	3.75	845	4.44	907	5.91	961	7.38	1030	9.14	1105	10.80	—	—	—	—	—	—	—	—	—	—
28000	2808	867	4.64	899	5.36	961	7.01	1011	8.55	1066	10.30	1136	12.30	1204	14.10	1284	16.20	—	—	—	—	—	—
30000	3009	925	5.60	954	6.34	1015	8.10	1062	9.75	1110	11.50	1168	13.50	1234	15.60	1296	17.50	1368	19.60	—	—	—	—
32000	3210	983	6.68	1010	7.44	1068	9.29	1116	11.10	1159	12.90	1205	14.80	1265	17.10	1325	19.30	1385	21.00	—	—	—	—
34000	3410	1042	7.91	1066	8.69	1121	10.60	1169	12.60	1210	14.50	1251	16.40	1300	18.60	1356	21.00	1414	23.00	1531	28.00	—	—
36000	3611	1100	9.29	1123	10.10	1174	12.00	1222	14.10	1262	16.10	1301	18.20	1342	20.00	1392	23.00	1446	25.00	1552	30.00	1684	36.00
38000	3811	1159	10.80	1180	11.60	1228	13.70	1275	15.90	1316	18.00	1352	20.00	1388	22.00	1430	25.00	1476	27.00	1580	32.00	1683	37.00
40000	4012	1218	12.50	1238	13.40	1283	15.40	1329	17.80	1369	20.00	1405	22.00	1440	25.00	1474	27.00	1515	29.00	1614	35.00	1707	40.00
42000	4213	1277	14.40	1296	15.30	1337	17.30	1383	19.80	1422	22.00	1458	25.00	1491	27.00	1523	29.00	1558	32.00	1646	38.00	1737	43.00
44000	4413	1336	16.40	1354	17.40	1393	19.50	1436	22.00	1476	25.00	1511	27.00	1543	29.00	1574	32.00	1606	34.00	1681	40.00	1767	46.00
46000	4614	1395	18.70	1412	19.60	1449	22.00	1490	24.00	1530	27.00	1566	30.00	1597	32.00	1627	35.00	1657	37.00	1722	43.00	—	—
48000	4814	1454	21.00	1470	22.00	1505	24.00	1544	27.00	1583	30.00	1619	33.00	1651	35.00	1679	38.00	1709	41.00	1768	46.00	—	—
50000	5015	1513	24.00	1529	25.00	1562	27.00	1598	30.00	1637	33.00	1671	35.00	1705	38.00	1734	41.00	1761	44.00	—	—	—	—
52000	5216	1572	27.00	1588	28.00	1619	30.00	1653	33.00	1689	36.00	1725	39.00	1758	42.00	—	—	—	—	—	—	—	—
54000	5416	1632	30.00	1636	31.00	1677	33.00	1709	36.00	1744	39.00	—	—	—	—	—	—	—	—	—	—	—	
56000	5617	1691	33.00	1705	34.00	1734	37.00	1765	39.00	—	—	—	—	—	—	—	—	—	—	—	—	—	

SIZE		Speed Limit 1600 RPM						Wheel diameter: 48.38"				Blade angle: 40°				Inlet and outlet area: 13.00 sq.ft.							
CFM	OV	0.13" SP		0.25" SP		0.50" SP		0.75" SP		1.00" SP		1.25" SP		1.50" SP		1.75" SP		2.00" SP		2.25" SP		2.50" SP	
		RPM	BHP	RPM	BHP	RPM	BHP	RPM	BHP	RPM	BHP	RPM	BHP	RPM	BHP	RPM	BHP	RPM	BHP	RPM	BHP	RPM	BHP
34000	2615	822	5.02	852	5.88	907	7.65	965	9.56	1029	11.60	1084	13.70	1139	16.20	—	—	—	—	—	—	—	—
36000	2769	867	5.94	896	6.87	948	8.74	999	10.70	1061	12.90	1118	15.20	1168	17.50	1225	20.00	—	—	—	—	—	—
38000	2923	912	6.88	940	7.84	990	9.82	1039	11.90	1092	14.10	1151	16.50	1201	18.90	1249	21.00	1304	25.00	—	—	—	—
40000	3077	957	7.90	984	8.92	1033	11.00	1078	13.10	1127	15.40	1183	17.90	1235	20.00	1280	23.00	1325	26.00	1383	29.00	—	—
42000	3231	1002	9.03	1028	10.10	1075	12.20	1119	14.50	1162	16.80	1214	19.30	1268	22.00	1313	25.00	1354	27.00	1399	30.00	—	—
44000	3385	1047	10.30	1072	11.40	1118	13.60	1160	16.00	1202	18.40	1247	21.00	1298	24.00	1348	26.00	1389	29.00	1430	32.00	1473	35.00
46000	3538	1093	11.60	1117	12.80	1161	15.10	1201	17.50	1240	20.00	1283	23.00	1329	25.00	1379	28.00	1423	31.00	1463	34.00	1499	37.00
48000	3692	1138	13.10	1161	14.30	1204	16.70	1243	19.20	1282	22.00	1320	24.00	1362	27.00	1409	30.00	1455	33.00	1496	36.00	1531	39.00
50000	3846	1184	14.70	1206	15.90	1248	18.50	1286	21.00	1322	24.00	1359	26.00	1397	29.00	1441	32.00	1487	35.00	1527	38.00	1566	42.00
52000	4000	1230	16.40	1251	17.70	1291	20.00	1329	23.00	1364	26.00	1398	28.00	1434	31.00	1475	34.00	1519	38.00	1561	41.00	1600	44.00
54000	4154	1275	18.20	1296	19.60	1335	22.00	1372	25.00	1406	28.00	1440	31.00	1474	34.00	1509	37.00	1549	40.00	1592	43.00	—	—
56000	4308	1321	20.00	1341	22.00	1379	24.00	1414	27.00	1448	30.00	1481	33.00	1512	36.00	1548	39.00	1585	43.00	—	—	—	—
58000	4462	1367	22.00	1386	24.00	1423	27.00	1458	30.00	1490	33.00	1522	36.00	1553	39.00	1586	42.00	—	—	—	—	—	—
60000	4615	1412	25.00	1431	26.00	1467	29.00	1501	32.00	1533	35.00	1563	38.00	1594	42.00	—	—	—	—	—	—	—	—
62000	4769	1458	27.00	1476	29.00	1511	32.00	1544	35.00	1576	38.00	—	—	—	—	—	—	—	—	—	—	—	—
64000	4923	1504	30.00	1522	31.00	1555	34.00	1588	38.00	—	—	—	—	—	—	—	—	—	—	—	—	—	—

Performance certified is for installation Type B: Free inlet, Ducted outlet.
Performance ratings do not include the effects of appurtenances in the airstream.

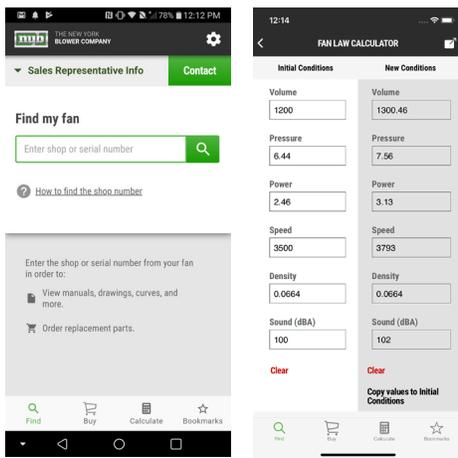
PERFORMANCE FOR BELT DRIVE FIXED PITCH (TXFP) FANS

BELT-DRIVE

SIZE 54		Speed Limit 1385 RPM				Wheel diameter: 54.00"				Blade angle: 40°				Inlet and outlet area: 16.50 sq.ft.									
CFM	OV	0.13" SP		0.25" SP		0.50" SP		0.75" SP		1.00" SP		1.25" SP		1.50" SP		1.75" SP		2.00" SP		2.50" SP		3.00" SP	
		RPM	BHP	RPM	BHP	RPM	BHP	RPM	BHP	RPM	BHP	RPM	BHP	RPM	BHP	RPM	BHP	RPM	BHP	RPM	BHP	RPM	BHP
35000	2121	602	3.99	630	4.80	695	6.96	753	9.20	811	12.00	878	14.70	944	17.70	1008	21.00	1074	26.00	1175	35.00	1244	44.00
38000	2303	649	4.94	675	5.79	732	7.93	791	11.00	842	13.00	897	15.80	959	19.00	1022	23.00	1080	26.00	1196	36.00	1284	46.00
41000	2484	697	6.06	720	6.95	771	9.10	829	12.00	877	14.00	925	17.20	978	20.00	1035	24.00	1093	28.00	1201	36.00	1305	47.00
44000	2667	745	7.46	766	8.41	812	10.60	865	13.40	914	16.40	958	19.20	1003	22.00	1056	26.00	1111	30.00	1213	38.00	1319	48.00
47000	2848	793	8.95	813	9.95	855	12.20	903	15.00	952	18.30	995	21.00	1036	24.00	1078	28.00	1129	32.00	1229	40.00	1325	49.00
50000	3030	841	10.60	860	11.70	898	14.00	941	16.80	988	20.10	1032	23.00	1072	27.00	1109	30.00	1151	34.00	1244	42.00	1339	51.00
53000	3212	889	12.50	907	13.60	943	16.00	983	18.80	1026	22.10	1069	26.00	1109	29.00	1146	33.00	1182	36.00	1262	44.00	1353	54.00
56000	3394	938	14.60	954	15.80	988	18.30	1025	21.10	1065	24.40	1107	28.00	1148	32.00	1182	36.00	1218	39.00	1288	47.00	1370	57.00
59000	3576	986	16.90	1002	18.20	1034	20.80	1068	23.60	1104	26.90	1144	31.00	1182	35.00	1221	39.00	1252	42.00	1319	50.00	—	—
62000	3758	1035	19.50	1050	20.80	1080	23.50	1112	26.40	1145	29.60	1182	33.00	1221	38.00	1257	42.00	1290	46.00	1351	54.00	—	—
65000	3939	1083	22.30	1098	23.70	1127	26.50	1157	29.50	1188	32.70	1221	36.00	1258	41.00	1295	45.00	1328	50.00	—	—	—	—
67000	4061	1116	24.30	1130	25.70	1157	28.60	1187	31.70	1217	35.00	1249	39.00	1283	43.00	1317	47.00	1353	52.00	—	—	—	—
69000	4182	1148	26.50	1162	27.90	1189	30.80	1216	33.90	1246	37.30	1276	41.00	1308	45.00	1342	50.00	1378	55.00	—	—	—	—
71000	4303	1181	28.80	1194	30.20	1220	33.20	1247	36.40	1275	39.70	1305	44.00	1335	48.00	1369	52.00	—	—	—	—	—	—
73000	4424	1213	31.20	1226	32.70	1252	35.80	1278	39.00	1304	42.40	1333	46.00	1362	50.00	—	—	—	—	—	—	—	—
75000	4545	1246	33.70	1258	35.30	1283	38.40	1308	41.70	1335	45.20	1362	49.00	—	—	—	—	—	—	—	—	—	—

SIZE 60		Speed Limit 1200 RPM				Wheel diameter: 60.00"				Blade angle: 40°				Inlet and outlet area: 20.30 sq.ft.									
CFM	OV	0.13" SP		0.25" SP		0.50" SP		0.75" SP		1.00" SP		1.25" SP		1.50" SP		1.75" SP		2.00" SP		2.50" SP		3.00" SP	
		RPM	BHP	RPM	BHP	RPM	BHP	RPM	BHP	RPM	BHP	RPM	BHP	RPM	BHP	RPM	BHP	RPM	BHP	RPM	BHP	RPM	BHP
34000	1675	494	2.76	529	3.63	613	6.08	674	8.25	738	10.70	812	14.20	873	18.80	918	21.00	957	24.00	1030	32.00	1094	40.00
36000	1773	520	3.17	552	4.06	632	6.55	694	8.99	751	11.30	819	14.50	885	18.40	936	22.00	980	26.00	1051	33.00	1115	41.00
40000	1970	571	4.12	598	5.06	668	7.55	733	10.50	786	13.00	837	15.70	896	19.00	963	24.00	1014	28.00	1091	35.00	1155	43.00
44000	2167	623	5.26	648	6.27	706	8.73	773	12.00	825	15.00	872	17.80	918	21.00	973	24.00	1032	29.00	1128	38.00	1199	47.00
48000	2365	676	6.61	698	7.69	747	10.20	810	13.50	866	17.00	912	20.00	954	23.00	997	26.00	1044	30.00	1152	40.00	—	—
52000	2562	728	8.19	749	9.36	792	11.90	847	15.10	904	19.00	952	23.00	994	26.00	1031	29.00	1071	33.00	1162	41.00	—	—
56000	2759	781	10.00	800	11.30	840	13.90	885	17.00	940	21.00	990	25.00	1031	29.00	1071	33.00	1108	36.00	1181	44.00	—	—
60000	2956	835	12.10	852	13.40	888	16.20	928	19.30	977	23.00	1029	28.00	1072	32.00	1111	36.00	1145	40.00	—	—	—	—
63000	3103	875	13.90	891	15.30	925	18.10	963	21.00	1006	25.00	1056	30.00	1101	34.00	1140	39.00	1177	43.00	—	—	—	—
66000	3251	915	15.80	931	17.20	963	20.00	997	23.00	1037	27.00	1082	32.00	1129	37.00	1168	41.00	—	—	—	—	—	—
69000	3399	955	17.90	970	19.40	1001	23.00	1033	26.00	1068	29.00	1110	34.00	1154	39.00	1198	44.00	—	—	—	—	—	—
72000	3547	995	20.00	1010	22.00	1039	25.00	1070	28.00	1103	32.00	1141	36.00	1183	41.00	—	—	—	—	—	—	—	—
75000	3695	1035	23.00	1049	24.00	1077	28.00	1107	31.00	1138	35.00	1171	39.00	—	—	—	—	—	—	—	—	—	—
78000	3842	1076	25.00	1089	27.00	1116	31.00	1144	34.00	1173	38.00	—	—	—	—	—	—	—	—	—	—	—	—
81000	3990	1116	28.00	1129	30.00	1155	34.00	1182	37.00	—	—	—	—	—	—	—	—	—	—	—	—	—	—
84000	4138	1156	31.00	1169	33.00	1194	37.00	—	—	—	—	—	—	—	—	—	—	—	—	—	—	—	—

NEW YORK BLOWER'S MOBILE APPLICATION



The nyb mobile app is now available for iOS and Android phones. Simply entering the fan's file (shop) number into the app provides:

- Ability to view job specific fan drawings, performance curves and installation/maintenance (IM) manuals.
- Ability to order replacement wheel, shaft, inlet assemblies, bearings, motors and drive components (belt, sheaves, couplings).
- View current fan performance and calculate system changes.

Other key features include:

- Ability to view online fan catalog and technical data.
- Identify and contact local nyb representative.

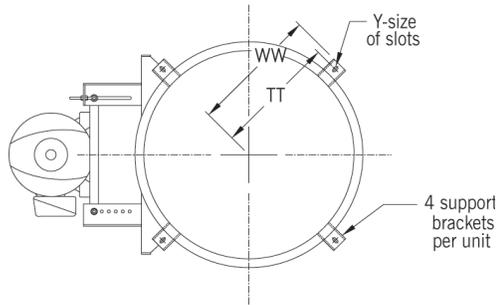
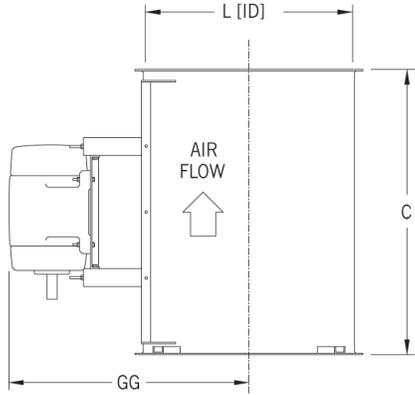


Performance certified is for installation Type B: Free inlet, Ducted outlet.
Performance ratings do not include the effects of appurtenances in the airstream.

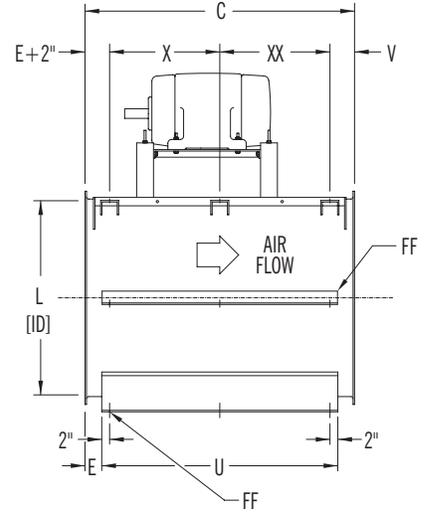
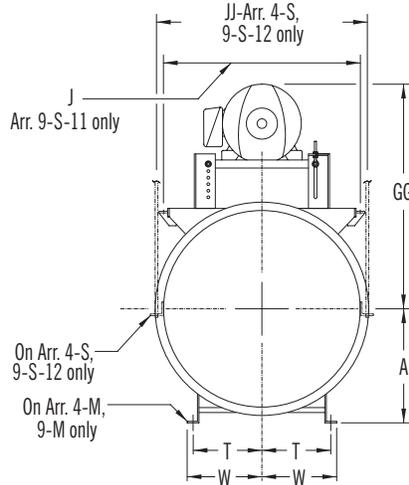
DIMENSIONS

Dimensions should not be used for construction unless certified. See page 6 for available mounting positions. Note motor size limits on page 7. Tolerance: $\pm 0.125"$.

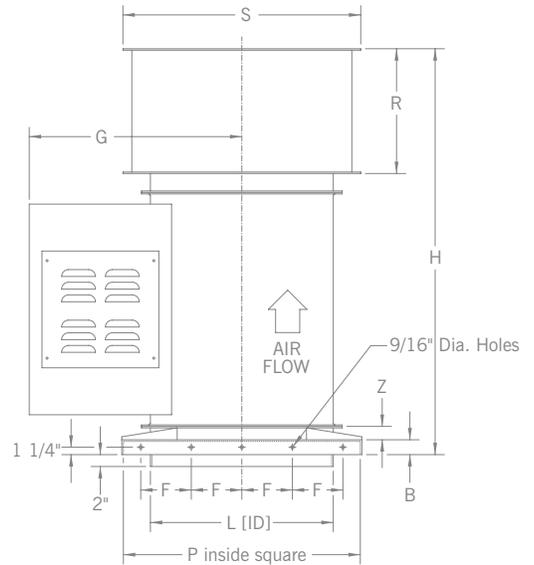
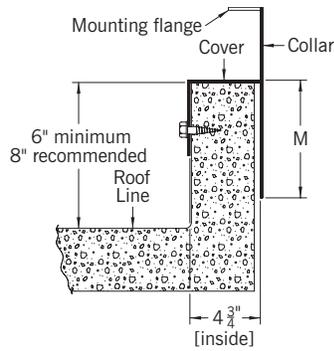
ARRANGEMENT 4-V AND 9-V



ARRANGEMENT 4-M AND 9-M, 4-S AND 9-S, AND 4-D AND 9-D



ARRANGEMENT 4-R AND 9-R [ROOF-MOUNTED] WITH EXHAUST-TYPE STACK HOOD.



DIMENSIONS

DIMENSIONS [INCHES]

Size	A	B	C		E	F	FF*	G	GG [max]	H		J	JJ	L
			Arr. 4	Arr. 9						Arr. 4	Arr. 9			
12	8.75	2.50	20.50	22.00	3.25	4.50	0.57	25.25	23.70	42.25	43.75	19.63	15.50	12.25
14	9.75	2.50	20.50	22.00	3.25	4.50	0.57	26.25	26.00	43.25	44.75	19.63	15.50	14.25
16	11.25	2.50	24.50	23.50	3.25	5.00	0.57	27.25	27.00	48.25	47.25	19.63	17.00	16.25
18	12.50	2.50	24.50	24.75	3.25	5.50	0.57	28.50	28.00	50.25	50.50	19.63	18.25	18.25
21	14.50	2.50	27.50	24.75	3.25	6.00	0.57	29.75	29.50	56.25	53.50	19.63	18.25	21.25
24	16.50	2.50	27.50	28.00	3.25	7.00	0.57	37.75	36.13	63.25	63.75	24.88	21.50	24.38
27	19.00	2.50	27.50	31.50	3.25	8.00	0.57	39.25	37.63	65.25	69.25	24.88	25.00	27.38
32	22.25	3.00	35.50	34.00	4.25	9.00	0.57	41.75	40.25	75.75	74.25	24.88	36.25	32.50
36	24.75	3.00	35.50	37.25	4.25	10.50	0.57	43.75	42.25	80.75	82.50	24.88	40.25	36.50
42	28.75	3.00	41.00	43.00	4.25	12.00	0.75	51.00	47.63	89.25	91.25	43.00	46.50	42.75
48	32.75	3.00	41.00	43.00	4.25	13.00	0.75	54.00	50.63	95.25	97.25	43.00	52.50	48.75
54	37.00	3.00	41.50	47.00	4.25	14.00	0.75	59.25	53.75	---	---	45.75	59.88	55.00
60	41.00	3.00	41.50	47.00	4.25	14.50	0.75	62.25	56.75	---	---	45.75	65.88	61.00

Size	M	P	R	S	T	TT	U		V	W	WW	Y
							Arr. 4	Arr. 9				
12	4.50	22.00	14.00	17.25	4.50	9.38	14.00	15.50	4.25	5.50	10.63	0.56 x 1.00
14	4.50	24.00	15.00	19.25	5.50	10.38	14.00	15.50	4.25	6.50	11.63	0.56 x 1.00
16	4.50	26.13	16.00	21.25	6.25	11.38	18.00	17.00	11.25	7.50	12.63	0.56 x 1.00
18	4.50	28.13	18.00	23.25	6.75	12.38	18.00	18.25	11.25	8.00	13.63	0.56 x 1.00
21	4.50	31.13	21.00	26.25	7.88	13.88	21.00	18.25	11.25	9.13	15.13	0.56 x 1.00
24	4.50	34.25	23.00	29.38	9.00	15.50	21.00	21.50	9.50	10.25	16.75	0.56 x 1.00
27	4.50	37.25	25.00	32.38	10.25	17.00	21.00	25.00	9.50	11.50	18.25	0.56 x 1.00
32	5.00	41.75	26.00	37.25	11.75	20.38	27.00	25.50	11.50	13.25	21.87	---
36	5.00	46.38	31.00	41.50	13.50	22.38	27.00	28.75	11.50	15.00	23.87	---
42	5.00	52.63	34.00	47.75	15.00	25.50	32.50	34.50	4.50	16.50	27.00	---
48	5.00	58.63	40.00	53.75	16.75	28.50	32.50	34.50	4.50	18.25	30.00	---
54	5.00	64.88	43.00	60.00	18.75	32.25	33.00	38.50	5.25	20.25	33.75	---
60	5.00	70.88	47.00	66.00	20.75	35.25	33.00	38.50	5.25	22.25	36.75	---

Tolerance: ± 0.12"

*FF: Mounting hole size; Sizes 12–48 use two holes per side; Sizes 54 and 60 use three holes per side.
 Dimensions X and XX pertain to Sizes 54 and 60 only: X = 17.25", XX = 18.25". Z = 2" on Sizes 12–22, 3" on Sizes 32–60.
 *Easy access construction for fan dimensions will vary. Check DOD for accurate drawings.

NOW AVAILABLE – ORDER REPLACEMENT PARTS ONLINE



Using our online ordering platform, most replacement components for fans ordered after 2000 can be ordered on our website at <https://apps.nyb.com/InternetSales/>.

BENEFITS TO ORDERING ONLINE INCLUDE:

- Expected lead time at the time of order
- Expedited shipping option (if desired)
- Payment by credit card
- Shipping anywhere in the U.S. or Canada
- Global shipping with freight forwarder

The New York Blower Company has a policy of continuous product development and reserves the right to change designs and specifications without notice.

COMPLIMENTARY AXIAL FAN LINES

DIMENSIONS

Axial fans are used in process applications where space is at a premium. Air flows through a fan parallel to the shaft moving outward in the same direction it flowed inward (axially). These inline fans are used for creating a high volume of airflow in lower pressure applications.

For the past decade, product development has been focused on continually expanding our axial product line. Our most recent expansions include Industrial Duct Fans and Vaneaxial Fans. Vaneaxial fans can be designed with reduced solidity (6 blades instead of 12), an adjustable pitch design (adjustments can be made to blade angles at rest), and multiple hub-to-blade ratio's for increase d performance and selection flexibility. Our online selection software will automatically select the most efficient fan for your specific application requirements.

Some typical applications for axial fans include air-assist flares, combustion air, mining, transportation, pulp/paper, and process supply/exhaust.

DUCT FANS

Inline Duct Fans have been designed for low-pressure ventilation and industrial-process applications where space is at a premium. Uses include heat, smoke and fume removal, process drying with ambient or preheated air; comfort and process cooling and general ventilation.

- Capacities to 60,000 cfm (102,000 m³/hr)
- Pressures to 2" wg (489 Pa)
- Temperatures to 350°F (with heat-fan construction) (180°C)
- 13 Belt-Drive Sizes: 12"–60" (305mm–1,524mm)
- 12 Direct-Drive Sizes: 12"–54" (305mm–1,372mm)



INDUSTRIAL DUCT FANS

The Industrial Duct Fan is a belt driven product line designed with short, compact housing to accommodate tight installation requirements and includes an aerodynamic belt-well for high efficiency operation. To increase selection flexibility, the Industrial Duct Fan utilizes three wheel designs.

- Capacities to 42,000 cfm (71,360 m³/hr)
- Pressures to 2.5" wg (622 Pa)
- Temperatures to 375°F (WITH HEAT-FAN CONSTRUCTION) (190°C)
- 10 Belt-Drive Sizes: 12"–48" (305mm–1,219mm)

VANEAXIAL FANS

As a high pressure vaneaxial fan manufacturer, our NYB Vaneaxial Fans are designed for high-pressure ventilation and industrial-process applications where axial flow is desirable and space is at a premium. Uses include heat, smoke and fume removal, process drying, comfort and process cooling and general ventilation.

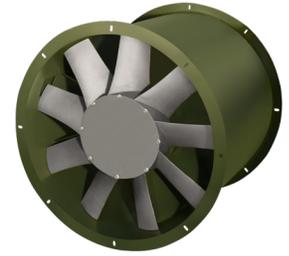
- Capacities to 100,000 cfm (170,000 m³/hr)
- Pressures to 5" wg (1,250 Pa)
- Temperatures to 200°F (90°C)
- 13 Belt-Drive Sizes: 12"–60" (305mm–1,524mm)
- 10 Direct-Drive Sizes: 18"–60" (457mm–1,524mm)



COMPLIMENTARY AXIAL FAN LINES

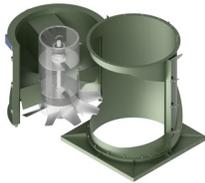
VANEAXIAL FIXED PITCH FANS

This belt-driven product line is available with multiple hub-to-blade ratio's for increased performance and selection flexibility. This feature combined with the ability to adjust blade pitch during the selection process allows NYB's VXFP to generate pressures in excess of 8"wg. For high-pressure ventilation, NYB Vaneaxial Fixed Pitch Fans are ideal where axial flow and space is at a premium.



- Capacities to 100,000 cfm (170,000 m³/hr)
- Pressures to 8" wg (1,990 Pa)
- Temperatures to 200°F (90°C)
- 15 Belt-Drive Sizes: 12"–60" (305mm–1,524mm)

MODIFICATIONS TO VXFP:



VANEAXIAL FIXED PITCH SWINGOUT FANS

The Vaneaxial Fixed Pitch Swingout Fans are designed to give uninterrupted access to the internal components of the fan. The whole motor and inner tube assembly swing out with the door, allowing easy access to the shaft and bearings for routine maintenance without disturbing ductwork. Available on the vertical belt drive units (Arrangements 9-V and 9-R), this feature allows for easy access to the shaft, bearings and v-belt drive.

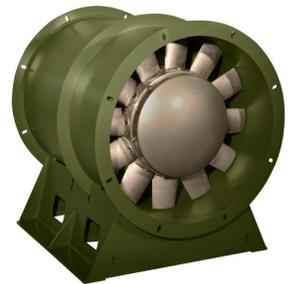


VANEAXIAL FIXED PITCH CLAMSHELL FANS

The Vaneaxial Fixed Pitch Clamshell Fans are designed to offer similar advantages to the swingout door option at a lower cost. Clamshell construction provides easy access to the internal components of the fan allowing routine maintenance to be completed without removing any ductwork. Available on the vertical belt drive units (Arrangements 9-V and 9-R), this feature allows for easy access to the shaft, bearings and v-belt drive. In addition, the wheel can be easily removed without the need to remove the fan from the ducted system. Sizes 18–32 utilize a single door design and sizes 36–60 utilize a dual door system.

VANEAXIAL ADJUSTABLE PITCH FANS

The Vaneaxial Adjustable Pitch Fans are designed and constructed for high-pressure applications found in heavy industrial-process applications such as air-assisted flares, combustion air, process supply, and exhaust. Adjustable pitch design conveniently allows for performance adjustments when the fan is at rest without the need for adjustable speed controllers or V-Belt drive systems. With eleven sizes, three hub ratios and both full and half solidity (number of blades) to choose between, the most efficient fan is easy to select using Fan-to-Size online.



- Capacities to 120,000 cfm (203,000 m³/hr)
- Pressures to 20" wg (4,980 Pa)
- Temperatures to 120°F (50°C)
- 11 Direct-Drive Sizes: 21"–60" (533mm–1,524mm)

PRODUCTS

Our commitment to total customer satisfaction is proven with our consistent investment in product development. Our AMCA accredited lab uses modern testing techniques to guarantee fan performance and reliability.

INLINE FANS

Duct Fans
Industrial Duct Fans
Tubeaxial
Vaneaxial
Vaneaxial Fixed Pitch
Vaneaxial Adjustable Pitch
Tubular Acoustafoil™
Propeller Fans

CENTRIFUGAL FANS

Forward Curved
Backward Inclined
Radial
Radial Tip
Pressure Blowers

CUSTOM FANS

CENTRIFUGAL VENTILATOR FANS

General Purpose Fans
Square Fans
Junior Fans

AXIAL VENTILATOR PRODUCTS

Upblast Roof Ventilators
Hooded Roof Ventilators
Centrifugal Roof Ventilators

PLENUMS AND DOUBLE WIDTHS

Airfoil Plenum
Cube Array Plenum Fans
Backward Inclined DWDI
FA / EZ Plenum
Forward Curved DWDI

FIBERGLASS REINFORCED PLASTIC FANS

FRP Fume Exhauster
FRP General Purpose Fume Exhauster
FRP Pressure Blower
FRP Radial Fume Exhauster

PROCESS HEAT OR PLUG FANS

Air Kits
Plug Fans
OEM Wheels and Cones

FAN COMPONENTS

SILENCERS/FLEX CONNECTORS

STEAM COIL PRODUCTS

Unit Heaters
Steelfin Coils

REPLACEMENT PARTS

AFTERMARKET SERVICES

Our technicians are highly qualified in repairing, rebuilding, modifying and retrofitting any manufacturer's equipment. Fan assemblies can be tested in the field or at our lab for air, sound and vibration problems.

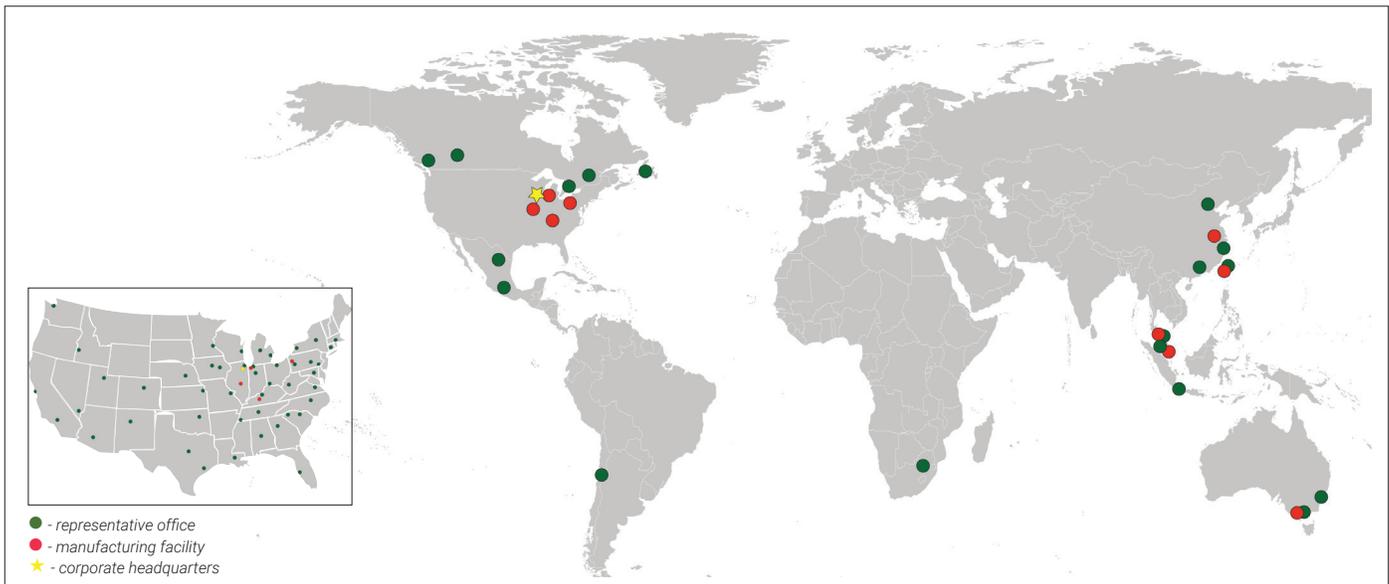
Field Services
Repair & Rebuild
Aftermarket Retrofit

Replacement Parts
Preventative Maintenance
Engineering Analysis

Testing Capabilities
Balancing Capabilities
3D Scanning

WORLDWIDE PRESENCE

Our extensive operations include over 490,000 ft² of manufacturing space in the United States, and over 200,000 ft² internationally. The map shows both manufacturing and representative offices worldwide.



THE NEW YORK
BLOWER COMPANY

800-208-7918 | nyb.com

MANUFACTURING LOCATIONS

UNITED STATES

Effingham, IL
La Porte, IN
Leitchfield, KY
New Castle, PA

INTERNATIONAL

Australia—Melbourne
China—Kunshan
China—Suqain
Malaysia—Johor
New Zealand—Auckland
New Zealand—Wellington

Philippines—Manila
Singapore
Taiwan—Taipei
Vietnam—Ho Chi Minh City