



THE NEW YORK BLOWER COMPANY
7660 Quincy Street
Willowbrook, IL 60527-5530

Visit us on the Web: <http://www.nyb.com>
Phone: (800) 208-7918 Email: nyb@nyb.com

ENGINEERING SUPPLEMENT
ES-743
July 2023

CENTRIFUGAL UPBLAST ROOF VENTILATORS MODEL STXD DIRECT-DRIVE/EXHAUST



AMCA SEAL The New York Blower Company certifies that the Model STXD ventilators shown herein are licensed to bear the AMCA Seal. The ratings shown are based on tests and procedures performed in accordance with AMCA Publications 211 and 311 and comply with the requirements of the AMCA Certified Ratings Program.

DESIGN FEATURES

6 sizes - from 6" to 15" in diameter

Airflows - 115 to 3, 250 CFM, up to 1 1/4" SP.

Centrifugal aluminum wheel - with non-over-loading, backward inclined tapered blades for maximum efficiency. Suitable for ducted and non-ducted applications.

Neoprene isolators - to reduce vibration and sound.

Mounted disconnect switch - standard with single speed ODP motors.

Vent tube - oversized for maximum motor cooling.

Conduit chase - provided for ease of electrical connection from below roof.

Galvanized bird screen - standard.



Exterior fasteners - stainless steel as standard.

Deep spun inlet - for optimum air and sound performance. Also prevents snow and rain from entering building.

Aluminum construction - for durability and appearance.

Motors - single phase, 60 cycle ODP motors are standard.

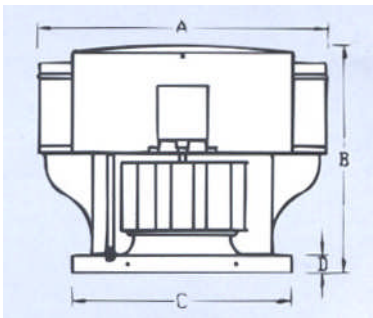
Motor assembly - isolated from unit to eliminate vibration and noise transmission, mounted out of exhaust airstream. Speed controllable.

Motor and wheel - removable as an assembly for ease of maintenance.

Spun top - easily removable for servicing.

Factory test run - for quality assurance.

DIMENSIONS - Not to be used for construction unless certified.



Fan Size	Dimensions [inches]							Approx. shpg. Wt. #
	Damper O.D.	Roof Opening	Curb O.D.	A	B	C	D	
6	11	11 ³ / ₄	14 ³ / ₄	24	19 ¹ / ₂	16 ¹ / ₂	2	70
8	11	11 ³ / ₄	14 ³ / ₄	24	19 ¹ / ₂	16 ¹ / ₂	2	70
10	11	11 ³ / ₄	14 ³ / ₄	27	21	16 ¹ / ₂	2	73
12	18	19 ¹ / ₄	22 ¹ / ₄	31 ¹ / ₂	26	24	2	115
14	18	19 ¹ / ₄	22 ¹ / ₄	31 ¹ / ₂	26	24	2	120
15	18	19 ¹ / ₄	22 ¹ / ₄	31 ¹ / ₂	26	24	2	120

The New York Blower Company has a policy of continuous product development and reserves the right to change designs and specifications without notice.

MODEL STXD DIRECT DRIVE/EXHAUST - performance ratings

Size	Fan	CFM									Motor HP	Max. BHP	Sones at 0" SP	Fan RPM†	
	Model	0" SP	1/8" SP	1/4" SP	3/8" SP	1/2" SP	5/8" SP	3/4" SP	7/8" SP	1"					
6	STXD-6SC	253	185								1/10	0.02	3.1	1110	
	STXD-6SC	274	212								1/10	0.03	3.6	1200	
	STXD-6SC	294	237	154							1/10	0.03	4.2	1290	
	STXD-6SC	315	262	193							1/10	0.04	4.9	1380	
	STXD-6SC	335	286	227	115						1/10	0.05	5.6	1470	
	STXD-6SC	356	310	258	179						1/10	0.06	6.3	1560	
	STXD-6SC	377	334	286	220						1/10	0.07	7.0	1650	
	STXD-6SC	397	357	312	256	168					1/10	0.08	7.8	1740	
	STXD-6*	410	370	328	276	203					1/10	0.09	8.2	1795	
8+	STXD-8SC	533	302								1/4	0.01	2.3	680	
	STXD-8SC	604	420								1/4	0.02	3.2	770	
	STXD-8SC	674	525								1/4	0.03	4.1	860	
	STXD-8SC	745	616	407							1/4	0.04	5.0	950	
	STXD-8SC	815	701	536							1/4	0.05	5.9	1040	
	STXD-8SC	886	783	644	441						1/4	0.07	6.8	1130	
	STXD-8SC	960	867	752	594	348					1/4	0.08	7.8	1225	
	STXD-8SC	1031	944	844	705	527					1/4	0.10	8.8	1315	
	STXD-8SC	1101	1021	930	814	673	468				1/4	0.13	9.9	1405	
	STXD-8SC	1172	1097	1014	916	786	631	414			1/4	0.15	11.0	1495	
	STXD-8SC	1242	1172	1095	1008	895	772	600	361		1/4	0.18	12.1	1585	
	STXD-8SC	1313	1247	1175	1096	1002	883	754	579	309	1/4	0.22	13.5	1675	
	STXD-8*	1364	1300	1232	1158	1072	960	851	698	510	1/4	0.24	14.3	1740	
10	STXD-102511SC	629	422								1/4	0.02	2.8	680	
	STXD-102511SC	713	548								1/4	0.03	3.8	770	
	STXD-102511SC	754	606	355							1/4	0.03	4.3	815	
	STXD-102511SC	796	660	435							1/4	0.04	4.9	860	
	STXD-102511SC	838	712	510							1/4	0.04	5.3	905	
	STXD-102511SC	879	762	580	334						1/4	0.05	5.8	950	
	STXD-102511SC	921	811	646	428						1/4	0.06	6.3	995	
	STXD-102511SC	963	858	709	510						1/4	0.07	6.8	1040	
	STXD-102511SC	1004	905	770	586	358					1/4	0.08	7.3	1085	
	STXD-102511SC	1046	951	828	659	457					1/4	0.09	7.9	1130	
	STXD-102511*	1055	961	841	675	477					1/4	0.09	8.0	1140	
	STXD-1025SC	1097	1007	896	742	561	318					1/4	0.10	8.5	1185
	STXD-1025SC	1138	1051	949	807	639	439					1/4	0.11	9.1	1230
	STXD-1025SC	1222	1140	1052	932	785	618	414				1/4	0.14	10.4	1320
	STXD-1025SC	1305	1228	1150	1047	917	772	611	402			1/4	0.17	11.7	1410
	STXD-1025SC	1388	1316	1245	1155	1043	914	771	615	407		1/4	0.20	13.0	1500
	STXD-1025SC	1430	1359	1291	1207	1103	980	847	701	531		1/4	0.22	13.7	1545
	STXD-1025SC	1472	1403	1337	1258	1161	1045	919	781	630		1/4	0.24	14.5	1590
	STXD-1025SC	1513	1446	1383	1308	1217	1109	989	858	719		1/4	0.26	15.2	1635
	STXD-1025*	1527	1460	1398	1325	1236	1129	1011	883	747		1/4	0.27	15.5	1650
STXD-1033SC	1555	1489	1428	1357	1272	1170	1056	933	801		1/3	0.28	16.0	1680	
	STXD-1033*	1573	1508	1448	1379	1296	1197	1085	965	835	1/3	0.30	16.3	1700	

Performance shown is for Installation Type A: Free Inlet, Free Outlet. Performance ratings include the effects of the birdscreen in the airstream.

The sound ratings shown are loudness values in fan sones at 5 ft. [1.5m] in a hemispherical free field calculated per AMCA Standard 301. Values shown are for Installation Type A: Free Inlet fan sone levels. The sound ratings shown are at 0" static pressure.

Models which have SC as a suffix have an RPM range capable with solid state speed control.

* Base Unit - AMCA Seal for Sound Rating does not apply to units with speed control. AMCA sound rating is for units when tested at max. RPM.

† Speed (RPM) shown is nominal. Performance is based on actual speed of test.

+ The first six size 8 ventilators listed should be priced under the 1130-680 RPM range. The remaining seven size 8 ventilators should be priced under the 1700-1130 RPM range. See the top of page 2 of price list V761.

MODEL STXD DIRECT DRIVE/EXHAUST - performance ratings [continued]

Size	Fan	CFM										Motor	Max.	Sones	Fan
	Model	0" SP	1/8" SP	1/4" SP	3/8" SP	1/2" SP	5/8" SP	3/4" SP	7/8" SP	1" SP	1 1/4" SP	HP	BHP	at 0	RPM
12	STXD-1225SC	964	712	352								1/4	0.03	4.3	680
	STXD-1225SC	1028	797	492								1/4	0.04	4.9	725
	STXD-1225SC	1092	881	610								1/4	0.05	5.5	770
	STXD-1225SC	1156	962	715								1/4	0.06	6.2	815
	STXD-1225SC	1219	1040	809	520							1/4	0.07	6.8	860
	STXD-1225SC	1283	1116	897	649							1/4	0.08	7.4	905
	STXD-1225SC	1347	1190	985	764	455						1/4	0.09	7.9	950
	STXD-1225SC	1411	1262	1071	869	607						1/4	0.10	8.4	995
	STXD-1225SC	1475	1332	1155	964	736	419					1/4	0.12	9.0	1040
	STXD-1225SC	1538	1402	1239	1053	852	590					1/4	0.14	9.5	1085
	STXD-1225*	1616	1487	1338	1161	983	760	462				1/4	0.16	10.3	1140
	STXD-1250SC	1666	1540	1399	1228	1060	855	599				1/2	0.17	10.8	1175
	STXD-1250SC	1794	1676	1553	1399	1240	1078	877	632			1/2	0.22	12.4	1265
	STXD-1250SC	1921	1811	1701	1565	1415	1269	1108	916	685		1/2	0.26	14.0	1355
	STXD-1250SC	1985	1878	1773	1645	1501	1359	1213	1038	836		1/2	0.29	14.7	1400
	STXD-1250SC	2049	1945	1844	1724	1586	1446	1310	1152	969		1/2	0.32	15.6	1445
	STXD-1250SC	2113	2011	1914	1802	1670	1534	1402	1259	1092	673	1/2	0.35	16.5	1490
	STXD-1250SC	2177	2078	1984	1878	1753	1620	1491	1361	1207	837	1/2	0.38	17.3	1535
	STXD-1250SC	2240	2144	2053	1953	1834	1706	1578	1455	1316	980	1/2	0.42	18.2	1580
STXD-1250SC	2304	2210	2122	2027	1915	1791	1666	1545	1419	1110	1/2	0.46	19.1	1625	
STXD-1250SC	2410	2320	2236	2148	2045	1930	1810	1692	1577	1308	1/2	0.52	21.0	1700	
STXD-1250*	2453	2364	2281	2196	2097	1985	1867	1751	1638	1384	1/2	0.55	21.0	1730	
14	STXD-1425SC	1240	1011	609								1/4	0.05	4.5	680
	STXD-1425SC	1322	1113	783								1/4	0.06	5.0	725
	STXD-1425SC	1404	1210	932								1/4	0.08	5.6	770
	STXD-1425SC	1486	1305	1062	673							1/4	0.09	6.2	815
	STXD-1425SC	1568	1398	1181	852							1/4	0.11	6.8	860
	STXD-1425SC	1650	1491	1294	1020	617						1/4	0.13	7.4	905
	STXD-1425SC	1732	1582	1402	1163	814						1/4	0.15	8.0	950
	STXD-1425SC	1814	1673	1506	1292	991	605					1/4	0.17	8.7	995
	STXD-1425SC	1896	1762	1606	1413	1161	818					1/4	0.19	9.4	1040
	STXD-1425SC	1978	1851	1703	1527	1307	1002	636				1/4	0.22	10.5	1085
	STXD-1425*	2060	1939	1798	1638	1439	1177	856				1/4	0.25	11.1	1130
15	STXD-1550SC	1375	1027	422								1/2	0.05	4.2	570
	STXD-1550SC	1484	1175	716								1/2	0.06	4.9	615
	STXD-1550SC	1701	1448	1080	576							1/2	0.09	6.2	705
	STXD-1550SC	1918	1702	1414	1065							1/2	0.13	7.6	795
	STXD-1550SC	2135	1948	1710	1406	1087						1/2	0.18	9.0	885
	STXD-1550SC	2352	2188	1983	1736	1444	1145					1/2	0.24	10.5	975
	STXD-1550SC	2461	2305	2114	1888	1616	1349	981				1/2	0.28	11.3	1020
	STXD-1550SC	2569	2422	2241	2034	1787	1522	1239	777			1/2	0.32	12.1	1065
	STXD-1550SC	2678	2538	2367	2176	1949	1689	1448	1113			1/2	0.36	13.0	1110
	STXD-1550*	2786	2653	2491	2313	2104	1863	1623	1362	969		1/2	0.41	13.9	1155

Performance shown is for Installation Type A: Free Inlet, Free Outlet. Performance ratings include the effects of the birdscreen in the airstream.

The sound ratings shown are loudness values in fan sones at 5 ft. [1.5m] in a hemispherical free field calculated per AMCA Standard 301. Values shown are for Installation Type A: Free Inlet fan sone levels. The sound ratings shown are at 0" static pressure.

Models which have SC as a suffix have an RPM range capable with solid state speed control.

* Base Unit - AMCA Seal for Sound Rating does not apply to units with speed control. AMCA sound rating is for units when tested at max. RPM.

† Speed (RPM) shown is nominal. Performance is based on actual speed of test.